

PARTS LIST

[KD-G120] [KD-G120R]
 [KD-G123] [KD-G124]
 [KD-G125] [KD-G126]
 [KD-G161] [KD-G162]

* All printed circuit boards and its assemblies are not available as service parts.

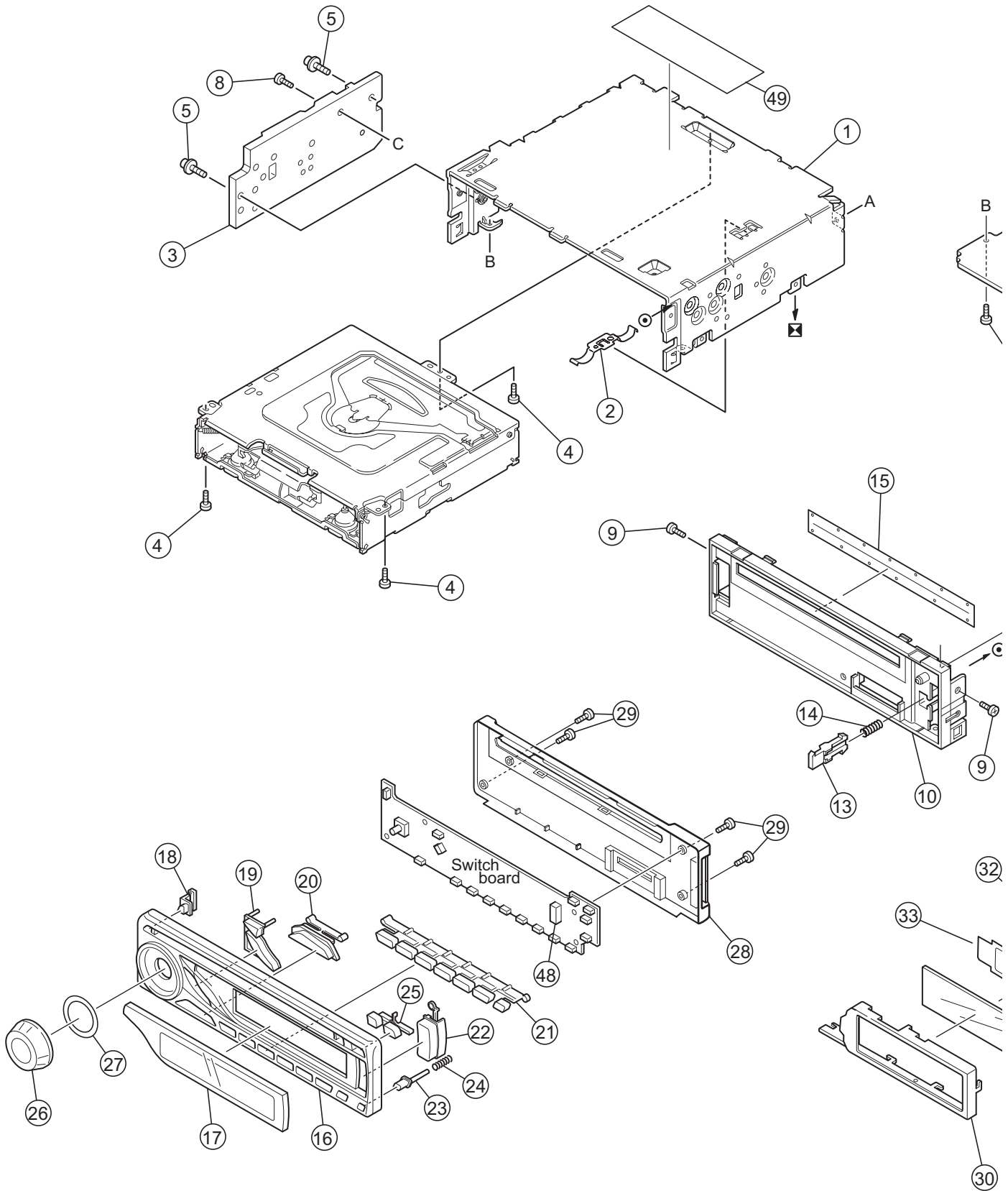
<p style="text-align: center;">KD-G120 , KD-G120R</p> <p style="text-align: center;">Area suffix</p> <p>J ----- Northern America</p>	<p style="text-align: center;">KD-G123 , KD-G124</p> <p style="text-align: center;">Area suffix</p> <p>UI ----- India</p>
<p style="text-align: center;">KD-G125 , KD-G126</p> <p style="text-align: center;">Area suffix</p> <p>UT ----- Taiwan</p> <p>UH ----- Thailand</p> <p>UN ----- Indonesia</p> <p>U ----- Other Areas</p>	<p style="text-align: center;">KD-G161 , KD-G162</p> <p style="text-align: center;">Area suffix</p> <p>E ----- Southern Europe</p> <p>EX ----- Northern Europe</p> <p>EY ----- Eastern Europe</p> <p>EU ----- Turkey</p>

- Contents -

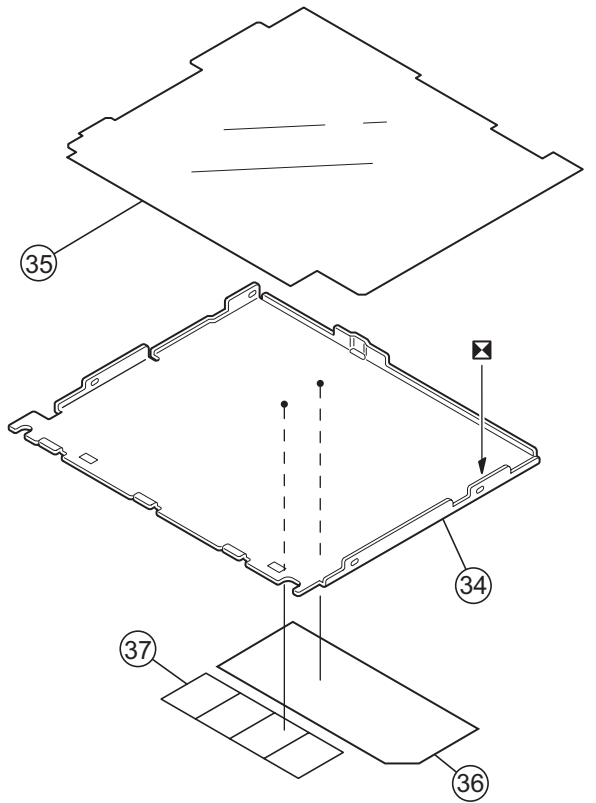
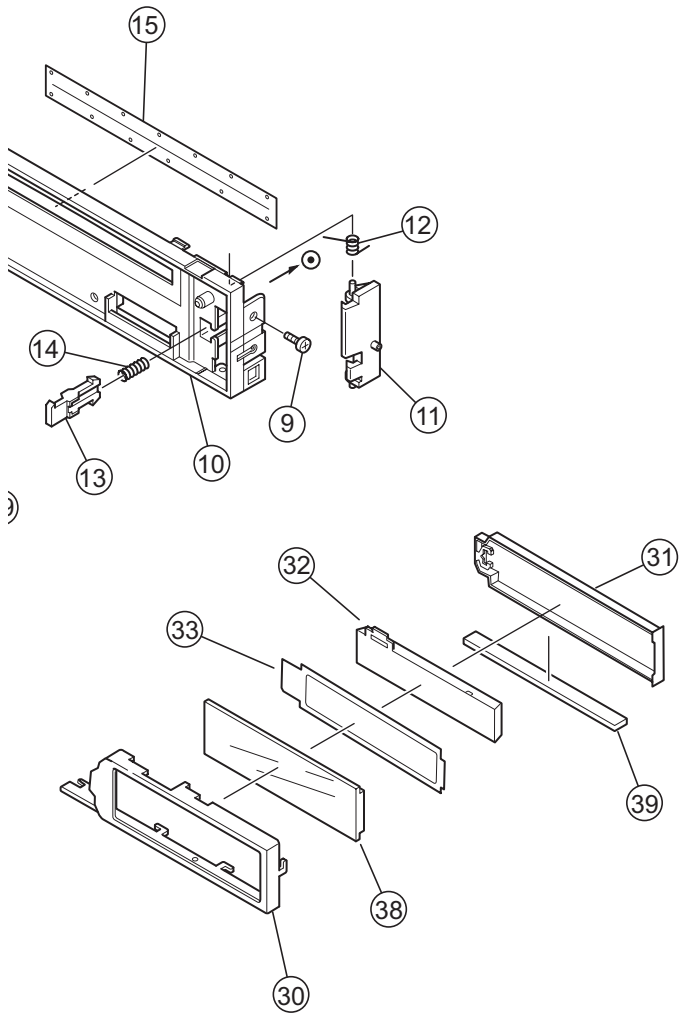
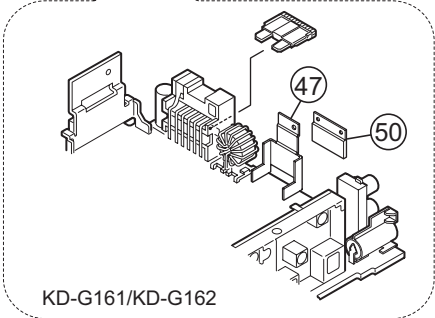
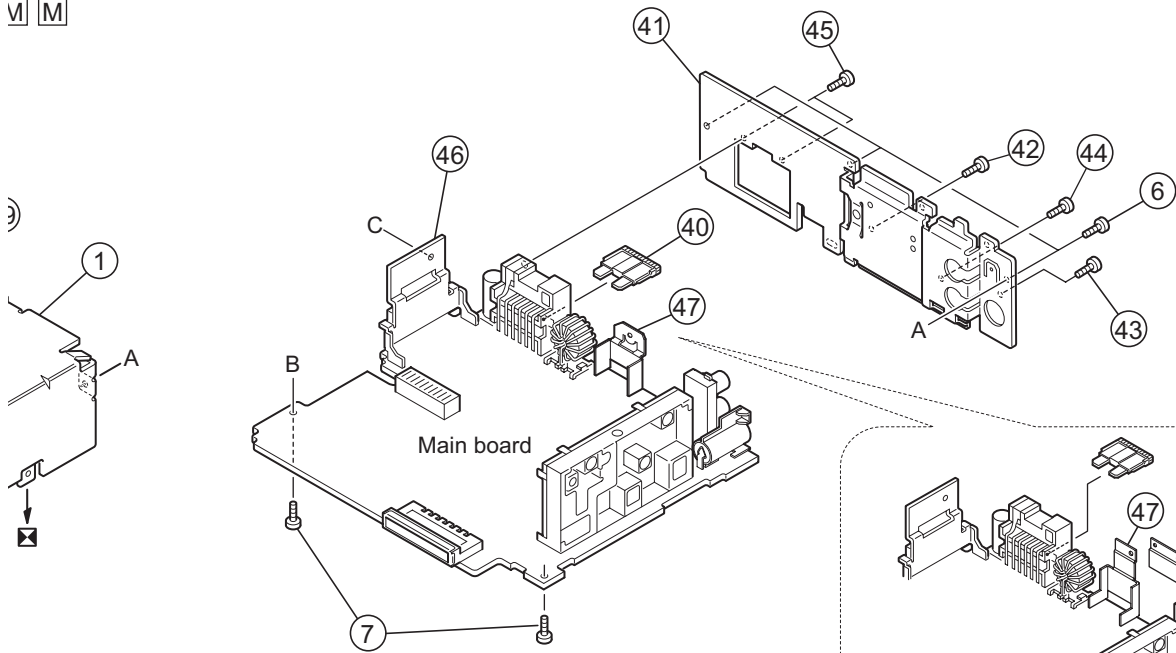
Exploded view of general assembly and parts list (Block No.M1) -----	3- 2
Electrical parts list (Block No.01~04) -----	3- 6
Packing materials and accessories parts list (Block No.M3) -----	3-14

Exploded view of general assembly and parts list

Block No. **M 1 M M**



VI M



General Assembly

Block No. [M][1][M][M]

△	Symbol No.	Part No.	Part Name	Description	Local
	1	GE10136-001A	TOP CHASSIS		
	2	GE40135-001A	EARTH PLATE		
	3	GE31894-001A	HEAT SINK		
	4	QYSDST2604ZA	TAP SCREW	M2.6 x 4mm(x3)	
	5	GE40235-001A	SCREW	(x2)	
	6	QYSDST2604ZA	TAP SCREW	M2.6 x 4mm(x3)	
	7	GE40235-004A	SCREW	(x2)	
	8	QYSDST2610ZA	TAP SCREW	M2.6 x 10mm	
	9	QYSDST2004ZA	TAP SCREW	M2 x 4mm(x2)	
	10	GE10137-001A	FRONT CHASSIS		
	11	GE31569-002A	LOCK LEVER		
	12	GE40269-001A	TORSION SPRING		
	13	GE31978-001A	RLS KNOB		
	14	GE40202-011A	COMP.SPRING		
	15	GE40294-002A	BLIND		
	16	GE10139-006A	FRONT PANEL		G120J
	16	GE10139-007A	FRONT PANEL		G120RJ
	16	GE10139-027A	FRONT PANEL		G123UI
	16	GE10139-028A	FRONT PANEL		G124UI
	16	GE10139-026A	FRONT PANEL		G125U,G125UH,G125UN,G125UT
	16	GE10139-011A	FRONT PANEL		G126U,G126UH,G126UN,G126UT
	16	GE10139-012A	FRONT PANEL		G161E,G161EU,G161EX,G161EY
	16	GE10139-013A	FRONT PANEL		G162E,G162EU,G162EX,G162EY
	17	GE31967-014A	FINDER ASSY		G120J
	17	GE31967-021A	FINDER ASSY		G120RJ
	17	GE31967-015A	FINDER ASSY		G123UI,G124UI,G125U,G125UH,G125UN,G125UT G126U,G126UH,G126UN,G126UT
	17	GE31967-016A	FINDER ASSY		G161E,G161EU,G161EX,G161EY,G162E,G162EU G162EX,G162EY
	18	GE31968-002A	POWER BUTTON		
	19	GE31969-001A	SRC BUTTON		
	20	GE31970-001A	SEL BUTTON		
	21	GE20188-001A	PRESET BUTTON		
	22	GE31971-001A	SEARCH BUTTON		
	23	GE31972-001A	DETACH BUTTON		
	24	GE40202-013A	COMP.SPRING		
	25	GE31973-001A	EJECT BUTTON		
	26	GE40296-004A	VOL KNOB ASSY		G120J,G120RJ,G124UI,G125U,G125UH,G125UN G125UT
	26	GE40296-001A	VOL KNOB ASSY		G123UI,G126U,G126UH,G126UN,G126UT
	26	GE40296-005A	VOL KNOB ASSY		G161E,G161EU,G161EX,G161EY
	26	GE40296-006A	VOL KNOB ASSY		G162E,G162EU,G162EX,G162EY
	27	GE40323-002A	SHEET		
	28	GE10140-002A	REAR COVER		
	29	VKZ4777-010	MINI SCREW	(x4)	
	30	GE31975-001A	LCD CASE		
	31	GE31977-001A	LENS CASE		
	32	GE31976-001A	LCD LENS		
	33	GE40297-001A	LIGHTING SHEET		
	34	GE31895-001A	BOTTOM COVER		
	35	GE31984-001A	INSULATOR		
	36	GE31834-001A	NAME PLATE		G120J
	36	GE32113-001A	NAME PLATE		G120RJ
	36	GE32005-001A	NAME PLATE		G123UI
	36	GE32008-001A	NAME PLATE		G124UI
	36	GE31837-001A	NAME PLATE		G125U,G125UH,G125UN,G125UT
	36	GE31840-001A	NAME PLATE		G126U,G126UH,G126UN,G126UT
	36	GE31852-001A	NAME PLATE		G161E,G161EU,G161EX,G161EY
	36	GE31855-001A	NAME PLATE		G162E,G162EU,G162EX,G162EY
	37	LV41843-002A	LASER CAUTION		G123UI,G124UI,G125U,G125UH,G125UN,G125UT G126U,G126UH,G126UN,G126UT,G161E,G161EU G161EX,G161EY,G162E,G162EU,G162EX,G162EY
	38	QLD0392-001	LCD MODULE		G120J,G120RJ,G123UI,G124UI,G125U,G125UH G125UN,G125UT,G126U,G126UH,G126UN,G126UT G161E,G161EU,G161EX,G161EY,G162E
	38	QLD0390-001	LCD MODULE		G161E,G161EU,G161EX,G161EY,G162E
	39	QNZ0823-001	LCD CONNECTOR		G162EU,G162EX,G162EY
△	40	QMFZ047-150-T	FUSE	15A	
	41	GE31571-005A	REAR BRACKET		
	42	QYSDST2606ZA	TAP SCREW	M2.6 x 6mm	
	43	QYSDST2606ZA	TAP SCREW	M2.6 x 6mm	
	44	QYSDSF2606ZA	TAP SCREW	M2.6 x 6mm	
	45	QYSDSF2606ZA	TAP SCREW	M2.6 x 6mm(x2)	
	46	GE40172-004A	IC BRACKET		
	47	GE40124-002A	REG BRACKET		G120J,G120RJ,G123UI,G124UI,G125U,G125UH G125UN,G125UT,G126U,G126UH,G126UN,G126UT G161E,G161EU,G161EX,G161EY,G162E,G162EU G162EX,G162EY
	47	GE40103-003A	REG BRACKET		

△	Symbol No.	Part No.	Part Name	Description	Local
	48	GE30854-001A	LED HOLDER		
	49	GE31574-021A	UT LABEL		G125UT
	49	GE31574-022A	UT LABEL		G126UT
	50	GE40107-002A	HEAT SINK		G161E,G161EU,G161EX,G161EY,G162E,G162EU G162EX,G162EY

Electrical parts list

Main board

(KD-G120,G120R,G123,G124,G125,G126)

Block No. [0][1]

Symbol No.	Part No.	Part Name	Description	Local
IC151	NJM4565E-X	IC		
IC301	BD3809FS-X	IC		
△ IC321	LA4743K	POWER IC		G120J G120RJ G123UI G124UI G125U G125UH G125UN G125UT G126U G126UH G126UN G126UT
△ IC321	LA47516	POWER IC		G120J G120RJ G123UI G124UI G125U G125UH G125UN G125UT G126U G126UH G126UN G126UT
IC501	AN22002A-W	IC		
△ IC541	LA6242H-X	IC		
△ IC561	MN6627482WA	IC		
△ IC801	JES01-9D13	IC		
△ IC901	R2S25400DS-E	REGULATOR IC		
Q321	RT1N441C-X	TRANSISTOR		
Q332	KTD1304-X	TRANSISTOR		
Q432	KTD1304-X	TRANSISTOR		
Q501	2SA2093/QR/-T	TRANSISTOR		
Q541	2SA2093/QR/-T	TRANSISTOR		
Q701	RT1N141C-X	DIGI TRANSISTOR		
Q731	2SC3928A/R/-X	TRANSISTOR		
Q732	2SC3928A/R/-X	TRANSISTOR		
Q791	2SA1365/F/-X	TRANSISTOR		
Q792	2SA1530A/R/-X	TRANSISTOR		
Q793	RT1N141C-X	DIGI TRANSISTOR		
Q861	RT1P141C-X	DIGI TRANSISTOR		
Q862	RT1P141C-X	DIGI TRANSISTOR		
Q902	2SC3928A/R/-X	TRANSISTOR		
Q903	2SA1530A/R/-X	TRANSISTOR		
D321	1SS133-T2	SI DIODE		
D332	KDS4148U-X	DIODE		
D333	KDS4148U-X	DIODE		
D405	CRS03-W	SB DIODE		
D551	1A3G-T1	SI DIODE		
D701	1SS355W-X	DIODE C.M		
D702	1SS355W-X	DIODE C.M		
D791	KDS4148U-X	DIODE		
D792	KDS4148U-X	DIODE		
D793	KDS4148U-X	DIODE		G123UI G124UI G125U G125UH G125UN G125UT G126U G126UH G126UN G126UT
D794	KDS4148U-X	DIODE		G123UI G124UI G125U G125UH G125UN G125UT G126U G126UH G126UN G126UT
D801	1SS355W-X	DIODE C.M		G120J G120RJ G123UI G124UI G125U G125UH G125UN G125UT G126U G126UH G126UN G126UT
D802	1SS133-T2	SI DIODE		G120J G120RJ G123UI G124UI G125U G125UH G125UN G125UT G126U G126UH G126UN G126UT
D810	KDS4148U-X	DIODE		
D821	UDZW6.2B-X	SI DIODE		
D822	UDZW6.2B-X	SI DIODE		
D823	UDZW6.2B-X	SI DIODE		
D824	UDZW6.2B-X	SI DIODE		
D825	UDZW6.2B-X	SI DIODE		
D826	UDZW6.2B-X	SI DIODE		
D827	UDZW6.2B-X	SI DIODE		

Symbol No.	Part No.	Part Name	Description	Local
D828	UDZW6.2B-X	SI DIODE		G123UI G124UI G125U G125UH G125UN G125UT G126U G126UH G126UN G126UT
D851	CRS03-W	SB DIODE		G123UI G124UI G125U G125UH G125UN G125UT G126U G126UH G126UN G126UT
D852	CRS03-W	SB DIODE		G123UI G124UI G125U G125UH G125UN G125UT G126U G126UH G126UN G126UT
D861	MTZJ4.7B-T2	Z DIODE		
D866	KDS4148U-X	DIODE		
D867	KDS4148U-X	DIODE		
D868	KDS4148U-X	DIODE		
D869	KDS4148U-X	DIODE		
△ D901	1N5401-F64	DIODE		
D903	1SS133-T2	SI DIODE		
D904	CRS03-W	SB DIODE		
D905	CRS03-W	SB DIODE		
C101	QTE1H57-105Z	E CAPACITOR	1uF 50V	
C102	NCB31HK-392X	C CAPACITOR	3900pF 50V K	G120J G120RJ G123UI G124UI G125U G125UH G125UN G125UT G126U G126UH G126UN G126UT
C102	NCB31HK-222X	C CAPACITOR	2200pF 50V K	G120J G120RJ G123UI G124UI G125U G125UH G125UN G125UT G126U G126UH G126UN G126UT
C151	NCB31HK-102X	C CAPACITOR	1000pF 50V K	
C152	QTE1H54-225Z	E CAPACITOR	2.2uF 50V	
C153	NDC31HJ-151X	C CAPACITOR	150pF 50V J	
C155	QTE0J57-476Z	E CAPACITOR	47uF 6.3V	
C201	QTE1H57-105Z	E CAPACITOR	1uF 50V	
C202	NCB31HK-392X	C CAPACITOR	3900pF 50V K	G120J G120RJ G123UI G124UI G125U G125UH G125UN G125UT G126U G126UH G126UN G126UT
C202	NCB31HK-222X	C CAPACITOR	2200pF 50V K	G120J G120RJ G123UI G124UI G125U G125UH G125UN G125UT G126U G126UH G126UN G126UT
C251	NCB31HK-102X	C CAPACITOR	1000pF 50V K	
C252	QTE1H54-225Z	E CAPACITOR	2.2uF 50V	
C253	NDC31HJ-151X	C CAPACITOR	150pF 50V J	
C255	QTE0J57-476Z	E CAPACITOR	47uF 6.3V	
C256	QTE1A57-107Z	E CAPACITOR	100uF 10V	
C302	NCB31CK-224X	C CAPACITOR	0.22uF 16V K	
C304	NCB21CK-224X	C CAPACITOR	0.22uF 16V K	
C308	QEKJ1EM-475Z	E CAPACITOR	4.7uF 25V M	
C312	QTE1C57-106Z	E CAPACITOR	10uF 16V	
C313	NCB31EK-104X	C CAPACITOR	0.1uF 25V K	
C314	NCB31HK-103X	C CAPACITOR	0.01uF 50V K	G123UI G124UI G125U G125UH G125UN G125UT G126U G126UH G126UN G126UT
C317	QEKJ1HM-105Z	E CAPACITOR	1uF 50V M	G123UI G124UI G125U G125UH G125UN G125UT G126U G126UH G126UN G126UT
C318	QEKJ1HM-105Z	E CAPACITOR	1uF 50V M	G123UI G124UI G125U G125UH G125UN G125UT G126U G126UH G126UN G126UT
C319	NDC31HJ-101X	C CAPACITOR	100pF 50V J	
C320	NDC31HJ-101X	C CAPACITOR	100pF 50V J	
C327	QEKJ1HM-105Z	E CAPACITOR	1uF 50V M	
C328	QTE1C57-476Z	E CAPACITOR	47uF 16V	
C329	QEKJ1EM-475Z	E CAPACITOR	4.7uF 25V M	
C330	NCB31HK-223X	C CAPACITOR	0.022uF 50V K	

△ Symbol No.	Part No.	Part Name	Description	Local	△ Symbol No.	Part No.	Part Name	Description	Local
C331	NCB31HK-223X	C CAPACITOR	0.022uF 50V K						G123UI
C332	NCB31EK-104X	C CAPACITOR	0.1uF 25V K						G124UI
C333	NCB31EK-104X	C CAPACITOR	0.1uF 25V K						G125U
C334	QFV91HJ-474Z	MF CAPACITOR	0.47uF 50V J		C704	NCB31HK-122X	C CAPACITOR	1200pF 50V K	G125UH
C335	QFV91HJ-474Z	MF CAPACITOR	0.47uF 50V J						G125UN
C341	NCB31HK-473X	C CAPACITOR	0.047uF 50V K						G125UT
C402	NCB31CK-224X	C CAPACITOR	0.22uF 16V K						G126U
C403	QTE1A57-107Z	E CAPACITOR	100uF 10V		C709	NCB31EK-153X	C CAPACITOR	0.015uF 25V K	G126UH
C404	NCB21CK-224X	C CAPACITOR	0.22uF 16V K						G126UN
C408	QEKJ1EM-475Z	E CAPACITOR	4.7uF 25V M						G126UT
C419	NDC31HJ-101X	C CAPACITOR	100pF 50V J						G120J
C420	NDC31HJ-101X	C CAPACITOR	100pF 50V J		C709	NCB31HK-123X	C CAPACITOR	0.012uF 50V K	G120RJ
C427	QEKJ1CM-226Z	E CAPACITOR	22uF 16V M						G123UI
C432	NCB31EK-104X	C CAPACITOR	0.1uF 25V K						G124UI
C433	NCB31EK-104X	C CAPACITOR	0.1uF 25V K						G125U
C434	QFV91HJ-474Z	MF CAPACITOR	0.47uF 50V J		C710	NCB31EK-153X	C CAPACITOR	0.015uF 25V K	G125UH
C435	QFV91HJ-474Z	MF CAPACITOR	0.47uF 50V J						G125UN
C501	NCB31EK-104X	C CAPACITOR	0.1uF 25V K						G125UT
C502	QEKJ1CM-106Z	E CAPACITOR	10uF 16V M		C710	NCB31HK-123X	C CAPACITOR	0.012uF 50V K	G126U
C504	QEKJ1AM-107Z	E CAPACITOR	100uF 10V M						G126UH
C505	NCB31EK-104X	C CAPACITOR	0.1uF 25V K						G126UN
C506	NDC31HJ-680X	C CAPACITOR	68pF 50V J						G126UT
C507	NCB31AK-334X	C CAPACITOR	0.33uF 10V K						G120J
C509	NCB31EK-393X	C CAPACITOR	0.039uF 25V K		C711	NCB31HK-103X	C CAPACITOR	0.01uF 50V K	G120RJ
C510	NCB31HK-272X	C CAPACITOR	2700pF 50V K						G123UI
C511	NCB31HK-272X	C CAPACITOR	2700pF 50V K						G124UI
C513	NDC31HJ-151X	C CAPACITOR	150pF 50V J						G125U
C514	NCB31EK-563X	C CAPACITOR	0.056uF 25V K		C711	NCB31HK-331X	C CAPACITOR	330pF 50V K	G125UH
C515	NCB31EK-104X	C CAPACITOR	0.1uF 25V K						G125UN
C516	QERF1AM-107Z	E CAPACITOR	100uF 10V M						G125UT
C518	NCB31EK-473X	C CAPACITOR	0.047uF 25V K						G126U
C519	NCB31EK-473X	C CAPACITOR	0.047uF 25V K		C712	NCB31HK-104X	C CAPACITOR	0.1uF 50V K	G126UH
C520	NDC31HJ-390X	C CAPACITOR	39pF 50V J		C713	NCB31EK-473X	C CAPACITOR	0.047uF 25V K	G126UN
C521	NDC31HJ-271X	C CAPACITOR	270pF 50V J						G126UT
C522	NCB31HK-223X	C CAPACITOR	0.022uF 50V K		C714	NDC31HJ-121X	C CAPACITOR	120pF 50V J	
C523	NCB31HK-223X	C CAPACITOR	0.022uF 50V K		C715	QEKJ1CM-226Z	E CAPACITOR	22uF 16V M	
C524	NCB31EK-333X	C CAPACITOR	0.033uF 25V K		C717	NDC31HJ-221X	C CAPACITOR	220pF 50V J	
C525	NCB31EK-333X	C CAPACITOR	0.033uF 25V K		C718	NCB31EK-223X	C CAPACITOR	0.022uF 25V K	
C528	NCB31EK-104X	C CAPACITOR	0.1uF 25V K		C720	QEKJ1AM-227Z	E CAPACITOR	220uF 10V M	
C540	NDC31HJ-680X	C CAPACITOR	68pF 50V J		C725	NCB31HK-103X	C CAPACITOR	0.01uF 50V K	
C541	NBE20JM-476X	TA E CAPACITOR	47uF 6.3V M		C731	QTE1H57-225Z	E CAPACITOR	2.2uF 50V	
C542	NCB31HK-332X	C CAPACITOR	3300pF 50V K		C732	NCB31HK-102X	C CAPACITOR	1000pF 50V K	
C543	NCB31EK-333X	C CAPACITOR	0.033uF 25V K		C733	QEKJ1AM-227Z	E CAPACITOR	220uF 10V M	
C545	NCB31HK-103X	C CAPACITOR	0.01uF 50V K		C801	QEKJ0JM-227Z	E CAPACITOR	220uF 6.3V M	
C546	NBE41AM-476X	TA E CAPACITOR	47uF 10V M		C802	NCB31HK-103X	C CAPACITOR	0.01uF 50V K	
C547	NCB31EK-223X	C CAPACITOR	0.022uF 25V K		C803	NDC31HJ-220X	C CAPACITOR	22pF 50V J	
C551	QEKJ1AM-227Z	E CAPACITOR	220uF 10V M		C804	NDC31HJ-330X	C CAPACITOR	33pF 50V J	
C552	NCB31HK-103X	C CAPACITOR	0.01uF 50V K		C807	QEKJ1CM-106Z	E CAPACITOR	10uF 16V M	
C555	NCB31EK-473X	C CAPACITOR	0.047uF 25V K		C821	NCB31EK-104X	C CAPACITOR	0.1uF 25V K	
C556	NCB31EK-473X	C CAPACITOR	0.047uF 25V K		C822	NCB31EK-104X	C CAPACITOR	0.1uF 25V K	
C557	NCB31EK-473X	C CAPACITOR	0.047uF 25V K		C823	NCB31EK-104X	C CAPACITOR	0.1uF 25V K	
C558	NCB31EK-473X	C CAPACITOR	0.047uF 25V K						G123UI
C561	NCB31EK-104X	C CAPACITOR	0.1uF 25V K						G124UI
C562	NCB31AK-334X	C CAPACITOR	0.33uF 10V K		C851	QEKJ1CM-106Z	E CAPACITOR	10uF 16V M	G125U
C563	NCB31HK-471X	C CAPACITOR	470pF 50V K						G125UH
C564	NCB21EK-223X	C CAPACITOR	0.022uF 25V K						G125UN
C565	NCB31EK-104X	C CAPACITOR	0.1uF 25V K						G125UT
C566	NCB31EK-104X	C CAPACITOR	0.1uF 25V K						G126U
C567	QEKJ1AM-107Z	E CAPACITOR	100uF 10V M						G126UH
C568	NCB31EK-104X	C CAPACITOR	0.1uF 25V K		C852	NCB31HK-103X	C CAPACITOR	0.01uF 50V K	G126UN
C571	NCB31EK-104X	C CAPACITOR	0.1uF 25V K						G126UT
C572	QEKJ1AM-107Z	E CAPACITOR	100uF 10V M						G123UI
C573	QEKJ1AM-227Z	E CAPACITOR	220uF 10V M						G124UI
C574	NCB31HK-103X	C CAPACITOR	0.01uF 50V K						G125U
C576	NDC31HJ-101X	C CAPACITOR	100pF 50V J		C861	QEKJ0JM-227Z	E CAPACITOR	220uF 6.3V M	G125UH
C577	NCB31EK-104X	C CAPACITOR	0.1uF 25V K		C862	NCB31EK-823X	C CAPACITOR	0.082uF 25V K	G125UN
C579	NCB31HK-102X	C CAPACITOR	1000pF 50V K		C864	NCB31EK-823X	C CAPACITOR	0.082uF 25V K	G125UT
				G123UI	C901	QEZ0645-228	E CAPACITOR	2200uF	G126U
				G124UI					G126UH
				G125U					G126UN
				G125UH					G126UT
				G125UN	C901	QEZ0769-278	E CAPACITOR	2700uF	G120J
				G125UT					G120RJ
				G126U					G123UI
				G126UH					G124UI
				G126UN					G125U
				G126UT					G125UH
									G125UN
									G125UT
									G126U
									G126UH
									G126UN
									G126UT
C700	NCB31HK-122X	C CAPACITOR	1200pF 50V K						
C701	QEKJ1CM-476Z	E CAPACITOR	47uF 16V M		C902	NCB31HK-103X	C CAPACITOR	0.01uF 50V K	
C702	QEKJ1HM-104Z	E CAPACITOR	0.1uF 50V M		C903	QEKJ1CM-226Z	E CAPACITOR	22uF 16V M	
C703	QEKJ1HM-104Z	E CAPACITOR	0.1uF 50V M		C904	QEKJ1CM-226Z	E CAPACITOR	22uF 16V M	
					C905	QEKJ1CM-226Z	E CAPACITOR	22uF 16V M	

△ Symbol No.	Part No.	Part Name	Description	Local	△ Symbol No.	Part No.	Part Name	Description	Local
C906	NCB31EK-104X	C CAPACITOR	0.1uF 25V K		R507	NRSA63J-102X	MG RESISTOR	1kΩ 1/16W J	
C907	NCB31HK-103X	C CAPACITOR	0.01uF 50V K		R508	NRSA63J-274X	MG RESISTOR	270kΩ 1/16W J	
C908	QEKJ1AM-107Z	E CAPACITOR	100uF 10V M		R509	NRSA63J-363X	MG RESISTOR	36kΩ 1/16W J	
C909	QEKJ1AM-107Z	E CAPACITOR	100uF 10V M		R510	NRSA63J-823X	MG RESISTOR	82kΩ 1/16W J	
C910	NCB31HK-103X	C CAPACITOR	0.01uF 50V K		R511	NRSA63J-224X	MG RESISTOR	220kΩ 1/16W J	
C911	QEKJ1AM-227Z	E CAPACITOR	220uF 10V M		R512	NRSA63J-473X	MG RESISTOR	47kΩ 1/16W J	
C914	NCB31EK-104X	C CAPACITOR	0.1uF 25V K		R513	NRSA63J-473X	MG RESISTOR	47kΩ 1/16W J	
C915	NCB11CK-225X	C CAPACITOR	2.2uF 16V K		R516	NRSA63J-623X	MG RESISTOR	62kΩ 1/16W J	
C916	QEKJ1HM-225Z	E CAPACITOR	2.2uF 50V M		R518	NRSA63J-105X	MG RESISTOR	1MΩ 1/16W J	
R101	NRSA63J-123X	MG RESISTOR	12kΩ 1/16W J	G120J G120RJ G123UI G124UI G125U G125UH G125UN G125UT G126U G126UH G126UN G126UT	R524	NRSA63J-332X	MG RESISTOR	3.3kΩ 1/16W J	
R101	NRSA63J-752X	MG RESISTOR	7.5kΩ 1/16W J		R525	NRSA63J-152X	MG RESISTOR	1.5kΩ 1/16W J	
R102	NRSA63J-822X	MG RESISTOR	8.2kΩ 1/16W J		R526	NRS181J-120X	MG RESISTOR	12Ω 1/8W J	
R102	NRSA63J-153X	MG RESISTOR	15kΩ 1/16W J		R541	NRSA02J-682X	MG RESISTOR	6.8kΩ 1/10W J	
R151	NRSA63J-153X	MG RESISTOR	15kΩ 1/16W J		R542	NRSA63J-561X	MG RESISTOR	560Ω 1/16W J	
R152	NRSA63J-562X	MG RESISTOR	5.6kΩ 1/16W J		R543	NRSA63J-473X	MG RESISTOR	47kΩ 1/16W J	
R153	NRSA63J-223X	MG RESISTOR	22kΩ 1/16W J		R544	NRSA63J-152X	MG RESISTOR	1.5kΩ 1/16W J	
R154	NRSA63J-223X	MG RESISTOR	22kΩ 1/16W J		R545	NRSA63J-202X	MG RESISTOR	2kΩ 1/16W J	
R156	NRS181J-223X	MG RESISTOR	22kΩ 1/8W J		R546	NRSA63J-153X	MG RESISTOR	15kΩ 1/16W J	
R201	NRSA63J-123X	MG RESISTOR	12kΩ 1/16W J		R547	NRSA63J-274X	MG RESISTOR	270kΩ 1/16W J	
R201	NRSA63J-752X	MG RESISTOR	7.5kΩ 1/16W J	G120J G120RJ G123UI G124UI G125U G125UH G125UN G125UT G126U G126UH G126UN G126UT	R548	NRSA63J-562X	MG RESISTOR	5.6kΩ 1/16W J	
R202	NRSA63J-822X	MG RESISTOR	8.2kΩ 1/16W J		R550	NRSA63J-123X	MG RESISTOR	12kΩ 1/16W J	
R202	NRSA63J-153X	MG RESISTOR	15kΩ 1/16W J		R551	NRSA63J-202X	MG RESISTOR	2kΩ 1/16W J	
R251	NRSA63J-153X	MG RESISTOR	15kΩ 1/16W J		R552	NRSA63J-183X	MG RESISTOR	18kΩ 1/16W J	
R252	NRSA63J-562X	MG RESISTOR	5.6kΩ 1/16W J		R553	NRS181J-0R0X	MG RESISTOR	0Ω 1/8W J	
R253	NRSA63J-223X	MG RESISTOR	22kΩ 1/16W J		R554	NRS181J-513X	MG RESISTOR	51kΩ 1/8W J	
R254	NRSA63J-223X	MG RESISTOR	22kΩ 1/16W J		R557	NRSA02J-151X	MG RESISTOR	150Ω 1/10W J	
R256	NRS181J-223X	MG RESISTOR	22kΩ 1/8W J		R558	NRSA02J-103X	MG RESISTOR	10kΩ 1/10W J	
R301	NRSA63J-222X	MG RESISTOR	2.2kΩ 1/16W J		R559	NRS181J-332X	MG RESISTOR	3.3kΩ 1/8W J	
R302	NRSA63J-333X	MG RESISTOR	33kΩ 1/16W J		R560	NRS181J-101X	MG RESISTOR	100Ω 1/8W J	
R304	NRSA63J-473X	MG RESISTOR	47kΩ 1/16W J		R561	NRSA63J-102X	MG RESISTOR	1kΩ 1/16W J	
R307	NRS181J-273X	MG RESISTOR	27kΩ 1/8W J		R562	NRSA63J-102X	MG RESISTOR	1kΩ 1/16W J	
R308	NRS181J-273X	MG RESISTOR	27kΩ 1/8W J		R563	NRSA63J-102X	MG RESISTOR	1kΩ 1/16W J	
R320	NRSA63J-333X	MG RESISTOR	33kΩ 1/16W J		R564	NRS181J-102X	MG RESISTOR	1kΩ 1/8W J	
R321	NRSA63J-473X	MG RESISTOR	47kΩ 1/16W J		R567	QRE141J-102Y	C RESISTOR	1kΩ 1/4W J	
R322	NRSA63J-272X	MG RESISTOR	2.7kΩ 1/16W J		R568	QRE141J-102Y	C RESISTOR	1kΩ 1/4W J	
R323	NRSA63J-472X	MG RESISTOR	4.7kΩ 1/16W J		R569	NRSA63J-102X	MG RESISTOR	1kΩ 1/16W J	
R333	NRSA63J-102X	MG RESISTOR	1kΩ 1/16W J		R570	NRS181J-102X	MG RESISTOR	1kΩ 1/8W J	
R334	NRSA63J-101X	MG RESISTOR	100Ω 1/16W J		R571	NRS181J-104X	MG RESISTOR	100kΩ 1/8W J	
R336	NRSA63J-222X	MG RESISTOR	2.2kΩ 1/16W J		R573	NRSA63J-124X	MG RESISTOR	120kΩ 1/16W J	
R401	NRSA63J-222X	MG RESISTOR	2.2kΩ 1/16W J		R574	NRSA63J-471X	MG RESISTOR	470Ω 1/16W J	
R403	NRS181J-101X	MG RESISTOR	100Ω 1/8W J		R575	NRSA63J-221X	MG RESISTOR	220Ω 1/16W J	
R404	NRSA63J-473X	MG RESISTOR	47kΩ 1/16W J		R576	NRSA63J-0R0X	MG RESISTOR	0Ω 1/16W J	
R407	NRS181J-273X	MG RESISTOR	27kΩ 1/8W J		R581	NRSA63J-0R0X	MG RESISTOR	0Ω 1/16W J	
R408	NRS181J-273X	MG RESISTOR	27kΩ 1/8W J		R596	NRSA02J-822X	MG RESISTOR	8.2kΩ 1/10W J	
R433	NRSA63J-102X	MG RESISTOR	1kΩ 1/16W J		R701	NRSA63J-102X	MG RESISTOR	1kΩ 1/16W J	
R434	NRSA63J-101X	MG RESISTOR	100Ω 1/16W J		R703	NRSA63J-102X	MG RESISTOR	1kΩ 1/16W J	
R436	NRSA63J-222X	MG RESISTOR	2.2kΩ 1/16W J		R705	NRSA63J-103X	MG RESISTOR	10kΩ 1/16W J	
R501	NRSA02J-220X	MG RESISTOR	22Ω 1/10W J		R708	NRSA63J-822X	MG RESISTOR	8.2kΩ 1/16W J	
R502	NRSA02J-220X	MG RESISTOR	22Ω 1/10W J		R725	NRSA63J-101X	MG RESISTOR	100Ω 1/16W J	
R503	NRS181J-393X	MG RESISTOR	39kΩ 1/8W J		R733	NRSA63J-103X	MG RESISTOR	10kΩ 1/16W J	
R504	NRSA63J-392X	MG RESISTOR	3.9kΩ 1/16W J		R735	NRS181J-152X	MG RESISTOR	1.5kΩ 1/8W J	
R505	NRSA63J-224X	MG RESISTOR	220kΩ 1/16W J		R736	NRSA63J-182X	MG RESISTOR	1.8kΩ 1/16W J	
R506	NRSA63J-563X	MG RESISTOR	56kΩ 1/16W J		R737	NRSA63J-0R0X	MG RESISTOR	0Ω 1/16W J	
					R737	NRSA63J-104X	MG RESISTOR	100kΩ 1/16W J	G120J G120RJ G123UI G124UI G125U G125UH G125UN G125UT G126U G126UH G126UN G126UT
					R791	NRSA63J-103X	MG RESISTOR	10kΩ 1/16W J	
					R792	NRSA63J-102X	MG RESISTOR	1kΩ 1/16W J	
					R793	NRSA63J-103X	MG RESISTOR	10kΩ 1/16W J	
					R794	NRSA63J-222X	MG RESISTOR	2.2kΩ 1/16W J	
					R795	NRS181J-120X	MG RESISTOR	12Ω 1/8W J	
					R797	NRS181J-100X	MG RESISTOR	10Ω 1/8W J	
					R798	NRSA63J-223X	MG RESISTOR	22kΩ 1/16W J	
					R801	NRS181J-103X	MG RESISTOR	10kΩ 1/8W J	
					R803	NRS181J-332X	MG RESISTOR	3.3kΩ 1/8W J	
					R804	NRS181J-332X	MG RESISTOR	3.3kΩ 1/8W J	
					R805	NRS181J-332X	MG RESISTOR	3.3kΩ 1/8W J	
					R807	NRS181J-473X	MG RESISTOR	47kΩ 1/8W J	
					R808	NRS181J-102X	MG RESISTOR	1kΩ 1/8W J	
					R809	NRS181J-103X	MG RESISTOR	10kΩ 1/8W J	
					R811	NRSA63J-332X	MG RESISTOR	3.3kΩ 1/16W J	
					R812	NRSA63J-332X	MG RESISTOR	3.3kΩ 1/16W J	
					R813	NRSA63J-473X	MG RESISTOR	47kΩ 1/16W J	
					R814	NRSA63J-473X	MG RESISTOR	47kΩ 1/16W J	

△ Symbol No.	Part No.	Part Name	Description	Local
R815	NRSA63J-473X	MG RESISTOR	47kΩ 1/16W J	
R817	NRS181J-472X	MG RESISTOR	4.7kΩ 1/8W J	
R818	NRS181J-473X	MG RESISTOR	47kΩ 1/8W J	G120J G123UI G124UI G125U G125UH G125UN G125UT G126U G126UH G126UN G126UT
R820	NRS181J-473X	MG RESISTOR	47kΩ 1/8W J	
R822	NRSA63J-222X	MG RESISTOR	2.2kΩ 1/16W J	
R823	NRSA63J-473X	MG RESISTOR	47kΩ 1/16W J	
R825	NRS181J-203X	MG RESISTOR	20kΩ 1/8W J	
R826	NRSA63J-473X	MG RESISTOR	47kΩ 1/16W J	
R827	NRSA63J-473X	MG RESISTOR	47kΩ 1/16W J	
R828	NRSA63J-473X	MG RESISTOR	47kΩ 1/16W J	
R829	NRS181J-473X	MG RESISTOR	47kΩ 1/8W J	
R830	NRS181J-223X	MG RESISTOR	22kΩ 1/8W J	
R831	NRSA63J-472X	MG RESISTOR	4.7kΩ 1/16W J	
R832	NRS181J-223X	MG RESISTOR	22kΩ 1/8W J	
R833	NRS181J-472X	MG RESISTOR	4.7kΩ 1/8W J	
R834	NRS181J-223X	MG RESISTOR	22kΩ 1/8W J	
R835	NRS181J-472X	MG RESISTOR	4.7kΩ 1/8W J	
R836	NRSA63J-473X	MG RESISTOR	47kΩ 1/16W J	
R837	NRSA63J-103X	MG RESISTOR	10kΩ 1/16W J	
R838	NRSA63J-103X	MG RESISTOR	10kΩ 1/16W J	
R840	NRSA63J-473X	MG RESISTOR	47kΩ 1/16W J	
R841	NRSA63J-473X	MG RESISTOR	47kΩ 1/16W J	
R843	NRSA63J-0R0X	MG RESISTOR	0Ω 1/16W J	
R844	NRSA63J-0R0X	MG RESISTOR	0Ω 1/16W J	
R850	NRS181J-473X	MG RESISTOR	47kΩ 1/8W J	
R851	NRSA63J-103X	MG RESISTOR	10kΩ 1/16W J	G123UI G124UI G125U G125UH G125UN G125UT G126U G126UH G126UN G126UT
R853	NRS181J-473X	MG RESISTOR	47kΩ 1/8W J	
R861	NRS181J-471X	MG RESISTOR	470Ω 1/8W J	
R862	NRS181J-471X	MG RESISTOR	470Ω 1/8W J	
R901	NRSA63J-912X	MG RESISTOR	9.1kΩ 1/16W J	
R902	QRE141J-102Y	C RESISTOR	1kΩ 1/4W J	
R903	NRSA63J-472X	MG RESISTOR	4.7kΩ 1/16W J	
R904	NRSA63J-104X	MG RESISTOR	100kΩ 1/16W J	
R905	NRSA63J-472X	MG RESISTOR	4.7kΩ 1/16W J	
R906	NRSA63J-472X	MG RESISTOR	4.7kΩ 1/16W J	
R907	NRSA63J-393X	MG RESISTOR	39kΩ 1/16W J	
R908	NRSA63J-683X	MG RESISTOR	68kΩ 1/16W J	
R909	NRSA63J-273X	MG RESISTOR	27kΩ 1/16W J	
R910	NRSA63J-473X	MG RESISTOR	47kΩ 1/16W J	
R911	NRS181J-473X	MG RESISTOR	47kΩ 1/8W J	
L501	QQL231K-4R7Y	INDUCTOR I/M	4.7uH K	
L561	QQL231K-4R7Y	INDUCTOR I/M	4.7uH K	
L562	QQL231K-4R7Y	INDUCTOR I/M	4.7uH K	
L701	QQL231K-4R7Y	INDUCTOR I/M	4.7uH K	
L801	QQL231K-4R7Y	INDUCTOR I/M	4.7uH K	
L901	QQR1695-001	CHOKE COIL		
CJ321	QNN0519-001	PIN JACK		
CJ701	QNB0190-001	CAR ANT JACK		
CN501	QGB2027M4-22S	CONNECTOR	B-B (1-22)	
CN801	QGZ1601J1-15	CONNECTOR	(1-15)	
CN901	QNZ0611-001	16P CONNECTOR		
△ TU701	QAU0312-002	TUNER PACK		
X561	QAX0714-001Z	C RESONATOR	16.000MHz	
X801	QAX0406-001Z	CRYSTAL	4.500MHz	

Main board (KD-G161,G162)

Block No. [0][2]

△ Symbol No.	Part No.	Part Name	Description	Local
△ IC71	LC72725NM-X	IC		
IC171	NJW1192V-X	IC		
△ IC301	LA4743K	POWER IC		
△ IC501	LA6242H-X	IC		
△ IC521	MN6627551CB	IC		
IC581	NJM4565E-X	IC		
△ IC701	MN101C77FSA	IC		
IC702	PST9121N-X	IC		
IC703	BR24L16F-W-X	IC		
IC704	NJU7241F33-X	IC		
△ IC901	AN80T71	REGULATOR IC		
Q71	RT1N141C-X	DIGI TRANSISTOR		
Q301	2SC3928A/QR/-X	TRANSISTOR		
Q341	KTD1304-X	TRANSISTOR		
Q351	KTD1304-X	TRANSISTOR		
Q501	2SB1322/RS-T	TRANSISTOR		
Q521	2SA1530A/QR/-X	TRANSISTOR		
Q701	RT1N141C-X	DIGI TRANSISTOR		
Q702	RT1N141C-X	DIGI TRANSISTOR		
Q703	RT1N141C-X	DIGI TRANSISTOR		
Q781	RT1P141C-X	DIGI TRANSISTOR		
Q782	RT1P141C-X	DIGI TRANSISTOR		
Q891	RT1N141C-X	DIGI TRANSISTOR		
Q901	2SA1530A/QR/-X	TRANSISTOR		
Q902	RT1N141C-X	DIGI TRANSISTOR		
Q903	RT1N141C-X	DIGI TRANSISTOR		
Q904	2SA1530A/QR/-X	TRANSISTOR		
Q911	2SA1530A/QR/-X	TRANSISTOR		
Q912	RT1N441C-X	TRANSISTOR		
D1	1SS355W-X	DIODE C.M		
D2	1SS355W-X	DIODE C.M		
D301	UDZS3.3B-X	Z DIODE		
D341	1SS355W-X	DIODE C.M		
D351	1SS355W-X	DIODE C.M		
D501	1A3G-T1	SI DIODE		
D701	UDZW6.2B-X	SI DIODE		
D702	UDZW6.2B-X	SI DIODE		
D703	UDZW6.2B-X	SI DIODE		
D704	UDZW6.2B-X	SI DIODE		
D705	UDZW6.2B-X	SI DIODE		
D706	UDZW6.2B-X	SI DIODE		
D707	UDZW6.2B-X	SI DIODE		
D708	UDZW6.2B-X	SI DIODE		
D709	UDZW6.2B-X	SI DIODE		
D710	1SS355W-X	DIODE C.M		
D712	UDZW6.2B-X	SI DIODE		
D713	1SS355W-X	DIODE C.M		
D781	CRS03-W	SB DIODE		
D782	UDZW11B-X	Z DIODE		
D891	MC2836-X	DIODE		
△ D901	1N5401-F64	DIODE		
D903	1SS355W-X	DIODE C.M		
D904	CRS03-W	SB DIODE		
D906	1SS355W-X	DIODE C.M		
D971	CRS03-W	SB DIODE		
C1	NCB31EK-104X	C CAPACITOR	0.1uF 25V K	
C4	NCB31EK-104X	C CAPACITOR	0.1uF 25V K	
C5	QEKJ0JM-476Z	E CAPACITOR	47uF 6.3V M	
C6	NCB31EK-104X	C CAPACITOR	0.1uF 25V K	
C7	QEKJ1AM-227Z	E CAPACITOR	220uF 10V M	
C8	NCB31EK-104X	C CAPACITOR	0.1uF 25V K	
C71	QEKJ1CM-106Z	E CAPACITOR	10uF 16V M	
C72	NDC31HJ-331X	C CAPACITOR	330pF 50V J	
C73	NCB31HK-103X	C CAPACITOR	0.01uF 50V K	
C74	NDC31HJ-561X	C CAPACITOR	560pF 50V J	
C75	QEKJ0JM-476Z	E CAPACITOR	47uF 6.3V M	
C76	NCB31HK-103X	C CAPACITOR	0.01uF 50V K	
C77	NDC31HJ-330X	C CAPACITOR	33pF 50V J	
C78	NDC31HJ-330X	C CAPACITOR	33pF 50V J	
C82	QTE1E57-475Z	E CAPACITOR	4.7uF 25V	
C84	QTE1E57-475Z	E CAPACITOR	4.7uF 25V	

△ Symbol No.	Part No.	Part Name	Description	Local	△ Symbol No.	Part No.	Part Name	Description	Local
C85	NCB31AK-224X	C CAPACITOR	0.22uF 10V K		C544	NCB31EK-823X	C CAPACITOR	0.082uF 25V K	
C92	QTE1E57-475Z	E CAPACITOR	4.7uF 25V		C545	NCB31EK-104X	C CAPACITOR	0.1uF 25V K	
C94	QTE1E57-475Z	E CAPACITOR	4.7uF 25V		C546	QEKJ0JM-227Z	E CAPACITOR	220uF 6.3V M	
C161	NCB31HK-471X	C CAPACITOR	470pF 50V K		C547	QTE0J57-476Z	E CAPACITOR	47uF 6.3V	
C162	NCB31AK-154X	C CAPACITOR	0.15uF 10V K		C548	QTE0J57-476Z	E CAPACITOR	47uF 6.3V	
C163	NCB31HK-472X	C CAPACITOR	4700pF 50V K		C549	NDC31HJ-101X	C CAPACITOR	100pF 50V J	
C164	NCB31EK-104X	C CAPACITOR	0.1uF 25V K		C550	NCB31EK-104X	C CAPACITOR	0.1uF 25V K	
C165	QEKJ1EM-475Z	E CAPACITOR	4.7uF 25V M		C551	NCB31EK-104X	C CAPACITOR	0.1uF 25V K	
C167	QTE1E57-475Z	E CAPACITOR	4.7uF 25V		C552	NCB31EK-104X	C CAPACITOR	0.1uF 25V K	
C168	QEKJ1CM-226Z	E CAPACITOR	22uF 16V M		C553	QEKJ0JM-476Z	E CAPACITOR	47uF 6.3V M	
C169	QEKJ1EM-475Z	E CAPACITOR	4.7uF 25V M		C583	NDC31HJ-821X	C CAPACITOR	820pF 50V J	
C171	NCB31HK-471X	C CAPACITOR	470pF 50V K		C584	NDC31HJ-821X	C CAPACITOR	820pF 50V J	
C172	NCB31AK-154X	C CAPACITOR	0.15uF 10V K		C585	QTE1H54-225Z	E CAPACITOR	2.2uF 50V	
C173	NCB31HK-472X	C CAPACITOR	4700pF 50V K		C586	QTE1H54-225Z	E CAPACITOR	2.2uF 50V	
C174	NCB31EK-104X	C CAPACITOR	0.1uF 25V K		C587	NDC31HJ-101X	C CAPACITOR	100pF 50V J	
C175	QEKJ1EM-475Z	E CAPACITOR	4.7uF 25V M		C588	NDC31HJ-101X	C CAPACITOR	100pF 50V J	
C177	QTE1E57-475Z	E CAPACITOR	4.7uF 25V		C589	QTE0J57-476Z	E CAPACITOR	47uF 6.3V	
C178	QEKJ1CM-226Z	E CAPACITOR	22uF 16V M		C591	QTE1A57-107Z	E CAPACITOR	100uF 10V	
C179	QEKJ1EM-475Z	E CAPACITOR	4.7uF 25V M		C592	NCB31EK-104X	C CAPACITOR	0.1uF 25V K	
C180	QFV91HJ-474Z	MF CAPACITOR	0.47uF 50V J		C701	NCB31EK-104X	C CAPACITOR	0.1uF 25V K	
C181	QFV91HJ-474Z	MF CAPACITOR	0.47uF 50V J		C702	NCB31EK-104X	C CAPACITOR	0.1uF 25V K	
C182	QFV91HJ-474Z	MF CAPACITOR	0.47uF 50V J		C705	NDC31HJ-180X	C CAPACITOR	18pF 50V J	
C183	QFV91HJ-474Z	MF CAPACITOR	0.47uF 50V J		C706	NDC31HJ-180X	C CAPACITOR	18pF 50V J	
C184	QTE1C57-106Z	E CAPACITOR	10uF 16V		C707	NCB31EK-473X	C CAPACITOR	0.047uF 25V K	
C185	QTE1A57-107Z	E CAPACITOR	100uF 10V		C708	NCB31EK-333X	C CAPACITOR	0.033uF 25V K	
C186	NCB31AK-154X	C CAPACITOR	0.15uF 10V K		C709	QERF0JM-337Z	E CAPACITOR	330uF 6.3V M	
C187	NCB31AK-154X	C CAPACITOR	0.15uF 10V K		C710	NCB31AK-154X	C CAPACITOR	0.15uF 10V K	
C301	QEKJ1HM-335Z	E CAPACITOR	3.3uF 50V M		C711	NCB31EK-104X	C CAPACITOR	0.1uF 25V K	
C302	QEKJ1HM-335Z	E CAPACITOR	3.3uF 50V M		C712	NCB31EK-104X	C CAPACITOR	0.1uF 25V K	
C303	NCB31HK-223X	C CAPACITOR	0.022uF 50V K		C713	NCB31EK-104X	C CAPACITOR	0.1uF 25V K	
C304	NCB31HK-223X	C CAPACITOR	0.022uF 50V K		C715	NCB31HK-103X	C CAPACITOR	0.01uF 50V K	
C305	NCB31EK-104X	C CAPACITOR	0.1uF 25V K		C716	QEKJ0JM-476Z	E CAPACITOR	47uF 6.3V M	
C306	NCB31EK-104X	C CAPACITOR	0.1uF 25V K		C718	QEKJ1CM-106Z	E CAPACITOR	10uF 16V M	
C307	NCB31EK-104X	C CAPACITOR	0.1uF 25V K		C721	NCB31EK-104X	C CAPACITOR	0.1uF 25V K	
C308	NCB31EK-104X	C CAPACITOR	0.1uF 25V K		C722	QEKJ1CM-106Z	E CAPACITOR	10uF 16V M	
C309	QEKJ1CM-107Z	E CAPACITOR	100uF 16V M		C781	QEKJ0JM-227Z	E CAPACITOR	220uF 6.3V M	
C310	QTE1C57-476Z	E CAPACITOR	47uF 16V		C782	QEKJ1CM-476Z	E CAPACITOR	47uF 16V M	
C311	QEKJ1CM-226Z	E CAPACITOR	22uF 16V M		C783	NCB31CK-823X	C CAPACITOR	0.082uF 16V K	
C312	NDC31HJ-101X	C CAPACITOR	100pF 50V J		C891	NCB31EK-104X	C CAPACITOR	0.1uF 25V K	
C313	NDC31HJ-101X	C CAPACITOR	100pF 50V J		C901	QE20645-228	E CAPACITOR	2200uF	
C314	NDC31HJ-101X	C CAPACITOR	100pF 50V J		C902	NCB31HK-103X	C CAPACITOR	0.01uF 50V K	
C315	NDC31HJ-101X	C CAPACITOR	100pF 50V J		C903	QEKJ1CM-226Z	E CAPACITOR	22uF 16V M	
C316	NCB31HK-123X	C CAPACITOR	0.012uF 50V K		C904	QEKJ1CM-226Z	E CAPACITOR	22uF 16V M	
C319	NCB31HK-223X	C CAPACITOR	0.022uF 50V K		C905	QEKJ1AM-227Z	E CAPACITOR	220uF 10V M	
C341	NDC31HJ-101X	C CAPACITOR	100pF 50V J		C906	NCB31EK-104X	C CAPACITOR	0.1uF 25V K	
C351	NDC31HJ-101X	C CAPACITOR	100pF 50V J		C907	NCB31HK-103X	C CAPACITOR	0.01uF 50V K	
C501	QEKJ0JM-227Z	E CAPACITOR	220uF 6.3V M		C908	QEKJ1AM-107Z	E CAPACITOR	100uF 10V M	
C503	QEKJ1AM-227Z	E CAPACITOR	220uF 10V M		C909	QEKJ1AM-107Z	E CAPACITOR	100uF 10V M	
C504	NCB31EK-104X	C CAPACITOR	0.1uF 25V K		C910	NCB31HK-103X	C CAPACITOR	0.01uF 50V K	
C506	NCB31HK-103X	C CAPACITOR	0.01uF 50V K		C915	QEKJ1CM-106Z	E CAPACITOR	10uF 16V M	
C511	NCB31HK-222X	C CAPACITOR	2200pF 50V K		C916	QEKJ1HM-225Z	E CAPACITOR	2.2uF 50V M	
C512	NDC31HJ-820X	C CAPACITOR	82pF 50V J		C919	QERF0JM-337Z	E CAPACITOR	330uF 6.3V M	
C513	NCB31HK-682X	C CAPACITOR	6800pF 50V K		C971	NCB31EK-104X	C CAPACITOR	0.1uF 25V K	
C515	NCB31HK-122X	C CAPACITOR	1200pF 50V K		R1	NRSA63J-473X	MG RESISTOR	47kΩ 1/16W J	
C517	NCB31HK-182X	C CAPACITOR	1800pF 50V K		R2	NRS181J-120X	MG RESISTOR	12Ω 1/8W J	
C518	NDC31HJ-680X	C CAPACITOR	68pF 50V J		R3	NRS181J-120X	MG RESISTOR	12Ω 1/8W J	
C521	NCB31EK-104X	C CAPACITOR	0.1uF 25V K		R4	NRSA63J-101X	MG RESISTOR	100Ω 1/16W J	
C522	NCB31AK-334X	C CAPACITOR	0.33uF 10V K		R5	NRSA63J-101X	MG RESISTOR	100Ω 1/16W J	
C524	NDC31HJ-561X	C CAPACITOR	560pF 50V J		R6	NRSA63J-332X	MG RESISTOR	3.3kΩ 1/16W J	
C525	NCB31HK-223X	C CAPACITOR	0.022uF 50V K		R7	NRSA63J-102X	MG RESISTOR	1kΩ 1/16W J	
C526	NCB31HK-223X	C CAPACITOR	0.022uF 50V K		R8	NRSA63J-102X	MG RESISTOR	1kΩ 1/16W J	
C527	NCB31HK-332X	C CAPACITOR	3300pF 50V K		R9	NRSA63D-333X	MG RESISTOR	33kΩ 1/16W D	
C528	NDC31HJ-181X	C CAPACITOR	180pF 50V J		R10	NRSA63D-683X	MG RESISTOR	68kΩ 1/16W D	
C529	NCB31HK-822X	C CAPACITOR	8200pF 50V K		R75	NRSA63J-0R0X	MG RESISTOR	0Ω 1/16W J	
C530	NCB31HK-822X	C CAPACITOR	8200pF 50V K		R81	NRSA63J-153X	MG RESISTOR	15kΩ 1/16W J	
C531	NCB31AK-334X	C CAPACITOR	0.33uF 10V K		R82	NRSA63J-682X	MG RESISTOR	6.8kΩ 1/16W J	
C532	NCB31AK-334X	C CAPACITOR	0.33uF 10V K		R91	NRSA63J-153X	MG RESISTOR	15kΩ 1/16W J	
C533	QEKJ0JM-107Z	E CAPACITOR	100uF 6.3V M		R92	NRSA63J-682X	MG RESISTOR	6.8kΩ 1/16W J	
C534	NCB31HK-332X	C CAPACITOR	3300pF 50V K		R160	NRSA63J-150X	MG RESISTOR	15Ω 1/16W J	
C535	NCB31EK-104X	C CAPACITOR	0.1uF 25V K		R162	NRSA63J-393X	MG RESISTOR	39kΩ 1/16W J	
C536	QEKJ0JM-476Z	E CAPACITOR	47uF 6.3V M		R163	NRSA63J-472X	MG RESISTOR	4.7kΩ 1/16W J	
C537	QEKJ0JM-476Z	E CAPACITOR	47uF 6.3V M		R164	NRSA63J-222X	MG RESISTOR	2.2kΩ 1/16W J	
C538	QEKJ0JM-476Z	E CAPACITOR	47uF 6.3V M		R168	NRSA63J-473X	MG RESISTOR	47kΩ 1/16W J	
C539	NCB31EK-104X	C CAPACITOR	0.1uF 25V K		R172	NRSA63J-393X	MG RESISTOR	39kΩ 1/16W J	
C540	NCS31HJ-681X	C CAPACITOR	680pF 50V J		R173	NRSA63J-472X	MG RESISTOR	4.7kΩ 1/16W J	
C541	NCB31EK-153X	C CAPACITOR	0.015uF 25V K		R174	NRSA63J-222X	MG RESISTOR	2.2kΩ 1/16W J	
C542	NCB31EK-104X	C CAPACITOR	0.1uF 25V K		R178	NRSA63J-473X	MG RESISTOR	47kΩ 1/16W J	
C543	NCB31HK-102X	C CAPACITOR	1000pF 50V K						

△ Symbol No.	Part No.	Part Name	Description	Local	△ Symbol No.	Part No.	Part Name	Description	Local
R180	NRSA63J-273X	MG RESISTOR	27kΩ 1/16W J		R710	NRSA63J-0R0X	MG RESISTOR	0Ω 1/16W J	
R181	NRSA63J-273X	MG RESISTOR	27kΩ 1/16W J		R711	NRSA63J-0R0X	MG RESISTOR	0Ω 1/16W J	
R182	NRSA63J-273X	MG RESISTOR	27kΩ 1/16W J		R713	NRSA63J-103X	MG RESISTOR	10kΩ 1/16W J	
R183	NRSA63J-273X	MG RESISTOR	27kΩ 1/16W J		R714	NRSA63J-562X	MG RESISTOR	5.6kΩ 1/16W J	
R190	NRSA63J-101X	MG RESISTOR	100Ω 1/16W J		R715	NRSA63J-473X	MG RESISTOR	47kΩ 1/16W J	
R191	NRSA63J-101X	MG RESISTOR	100Ω 1/16W J		R716	NRSA63J-103X	MG RESISTOR	10kΩ 1/16W J	
R301	NRSA63J-152X	MG RESISTOR	1.5kΩ 1/16W J		R717	NRSA63J-152X	MG RESISTOR	1.5kΩ 1/16W J	
R302	NRSA63J-473X	MG RESISTOR	47kΩ 1/16W J		R718	NRSA63J-473X	MG RESISTOR	47kΩ 1/16W J	
R303	NRSA63J-101X	MG RESISTOR	100Ω 1/16W J		R719	NRSA63J-103X	MG RESISTOR	10kΩ 1/16W J	
R304	NRSA63J-472X	MG RESISTOR	4.7kΩ 1/16W J		R720	NRSA63J-273X	MG RESISTOR	27kΩ 1/16W J	
R341	NRSA63J-821X	MG RESISTOR	820Ω 1/16W J		R721	NRSA63J-101X	MG RESISTOR	100Ω 1/16W J	
R342	NRSA63J-102X	MG RESISTOR	1kΩ 1/16W J		R722	NRSA63J-473X	MG RESISTOR	47kΩ 1/16W J	
R343	NRSA63J-101X	MG RESISTOR	100Ω 1/16W J		R723	NRS181J-104X	MG RESISTOR	100kΩ 1/8W J	
R351	NRSA63J-821X	MG RESISTOR	820Ω 1/16W J		R724	NRS181J-104X	MG RESISTOR	100kΩ 1/8W J	
R352	NRSA63J-102X	MG RESISTOR	1kΩ 1/16W J		R725	NRS181J-104X	MG RESISTOR	100kΩ 1/8W J	
R353	NRSA63J-101X	MG RESISTOR	100Ω 1/16W J		R726	NRSA63J-104X	MG RESISTOR	100kΩ 1/16W J	
R500	NRS181J-220X	MG RESISTOR	22Ω 1/8W J		R727	NRSA63J-101X	MG RESISTOR	100Ω 1/16W J	
R501	NRSA63J-822X	MG RESISTOR	8.2kΩ 1/16W J		R728	NRSA63J-101X	MG RESISTOR	100Ω 1/16W J	
R502	NRSA63J-822X	MG RESISTOR	8.2kΩ 1/16W J		R729	NRSA63J-472X	MG RESISTOR	4.7kΩ 1/16W J	
R503	NRSA63J-512X	MG RESISTOR	5.1kΩ 1/16W J		R730	NRSA63J-472X	MG RESISTOR	4.7kΩ 1/16W J	
R505	NRSA63J-113X	MG RESISTOR	11kΩ 1/16W J		R731	NRSA63J-101X	MG RESISTOR	100Ω 1/16W J	
R506	NRSA63J-103X	MG RESISTOR	10kΩ 1/16W J		R732	NRSA63J-101X	MG RESISTOR	100Ω 1/16W J	
R507	NRSA63J-153X	MG RESISTOR	15kΩ 1/16W J		R735	NRS181J-102X	MG RESISTOR	1kΩ 1/8W J	
R508	NRSA63J-332X	MG RESISTOR	3.3kΩ 1/16W J		R736	NRS181J-222X	MG RESISTOR	2.2kΩ 1/8W J	
R509	NRSA63J-104X	MG RESISTOR	100kΩ 1/16W J		R737	NRS181J-104X	MG RESISTOR	100kΩ 1/8W J	
R510	NRSA63J-273X	MG RESISTOR	27kΩ 1/16W J		R740	NRSA63J-332X	MG RESISTOR	3.3kΩ 1/16W J	
R511	NRSA63J-153X	MG RESISTOR	15kΩ 1/16W J		R742	NRSA63J-101X	MG RESISTOR	100Ω 1/16W J	
R512	NRSA63J-562X	MG RESISTOR	5.6kΩ 1/16W J		R745	NRSA63J-473X	MG RESISTOR	47kΩ 1/16W J	
R513	NRSA63J-103X	MG RESISTOR	10kΩ 1/16W J		R748	NRSA63J-472X	MG RESISTOR	4.7kΩ 1/16W J	
R514	NRSA63J-562X	MG RESISTOR	5.6kΩ 1/16W J		R749	NRSA63J-103X	MG RESISTOR	10kΩ 1/16W J	
R515	NRSA63J-153X	MG RESISTOR	15kΩ 1/16W J		R750	NRSA63J-472X	MG RESISTOR	4.7kΩ 1/16W J	
R516	NRSA63J-102X	MG RESISTOR	1kΩ 1/16W J		R751	NRSA63J-103X	MG RESISTOR	10kΩ 1/16W J	
R517	NRSA63J-153X	MG RESISTOR	15kΩ 1/16W J		R752	NRSA63J-472X	MG RESISTOR	4.7kΩ 1/16W J	
R518	NRSA63J-562X	MG RESISTOR	5.6kΩ 1/16W J		R753	NRSA63J-103X	MG RESISTOR	10kΩ 1/16W J	
R519	NRSA63J-203X	MG RESISTOR	20kΩ 1/16W J		R754	NRSA63J-472X	MG RESISTOR	4.7kΩ 1/16W J	
R520	NRS181J-220X	MG RESISTOR	22Ω 1/8W J		R755	NRSA63J-472X	MG RESISTOR	4.7kΩ 1/16W J	
R522	NRSA63J-0R0X	MG RESISTOR	0Ω 1/16W J		R756	NRSA63J-271X	MG RESISTOR	270Ω 1/16W J	
R524	NRS181J-102X	MG RESISTOR	1kΩ 1/8W J		R757	NRSA63J-271X	MG RESISTOR	270Ω 1/16W J	
R525	NRS181J-102X	MG RESISTOR	1kΩ 1/8W J		R758	NRSA63J-222X	MG RESISTOR	2.2kΩ 1/16W J	
R526	NRS181J-102X	MG RESISTOR	1kΩ 1/8W J		R759	NRSA63J-473X	MG RESISTOR	47kΩ 1/16W J	
R527	NRS181J-102X	MG RESISTOR	1kΩ 1/8W J		R760	NRSA63J-101X	MG RESISTOR	100Ω 1/16W J	
R528	NRS181J-102X	MG RESISTOR	1kΩ 1/8W J		R762	NRSA63J-471X	MG RESISTOR	470Ω 1/16W J	
R529	NRS181J-102X	MG RESISTOR	1kΩ 1/8W J		R763	NRSA63J-102X	MG RESISTOR	1kΩ 1/16W J	
R535	NRSA63J-103X	MG RESISTOR	10kΩ 1/16W J		R766	NRS181J-682X	MG RESISTOR	6.8kΩ 1/8W J	
R538	NRSA63J-0R0X	MG RESISTOR	0Ω 1/16W J		R767	NRSA63J-0R0X	MG RESISTOR	0Ω 1/16W J	
R539	NRSA63J-0R0X	MG RESISTOR	0Ω 1/16W J		R768	NRSA63J-222X	MG RESISTOR	2.2kΩ 1/16W J	
R540	NRSA63J-303X	MG RESISTOR	30kΩ 1/16W J		R769	NRSA63J-222X	MG RESISTOR	2.2kΩ 1/16W J	
R541	NRSA63J-393X	MG RESISTOR	39kΩ 1/16W J		R770	NRSA63J-222X	MG RESISTOR	2.2kΩ 1/16W J	
R542	NRSA63J-472X	MG RESISTOR	4.7kΩ 1/16W J		R891	NRSA63J-473X	MG RESISTOR	47kΩ 1/16W J	
R543	NRS181J-102X	MG RESISTOR	1kΩ 1/8W J		R892	NRSA63J-102X	MG RESISTOR	1kΩ 1/16W J	
R544	NRS181J-102X	MG RESISTOR	1kΩ 1/8W J		R901	NRSA63J-912X	MG RESISTOR	9.1kΩ 1/16W J	
R545	NRSA63J-332X	MG RESISTOR	3.3kΩ 1/16W J		R902	QRE141J-102Y	C RESISTOR	1kΩ 1/4W J	
R548	NRSA63J-332X	MG RESISTOR	3.3kΩ 1/16W J		R903	NRSA63J-472X	MG RESISTOR	4.7kΩ 1/16W J	
R552	NRSA63J-104X	MG RESISTOR	100kΩ 1/16W J		R905	NRSA63J-472X	MG RESISTOR	4.7kΩ 1/16W J	
R553	NRS181J-0R0X	MG RESISTOR	0Ω 1/8W J		R906	NRSA63J-473X	MG RESISTOR	47kΩ 1/16W J	
R554	NRSA63J-4R7X	MG RESISTOR	4.7Ω 1/16W J		R907	NRSA63J-681X	MG RESISTOR	680Ω 1/16W J	
R556	NRSA63J-473X	MG RESISTOR	47kΩ 1/16W J		R908	NRSA63J-681X	MG RESISTOR	680Ω 1/16W J	
R558	NRSA63J-823X	MG RESISTOR	82kΩ 1/16W J		R909	NRSA63J-473X	MG RESISTOR	47kΩ 1/16W J	
R559	NRSA63J-821X	MG RESISTOR	820Ω 1/16W J		R910	NRSA63J-272X	MG RESISTOR	2.7kΩ 1/16W J	
R565	NRSA63J-151X	MG RESISTOR	150Ω 1/16W J		R911	NRSA63J-243X	MG RESISTOR	24kΩ 1/16W J	
R566	NRS181J-0R0X	MG RESISTOR	0Ω 1/8W J		R912	NRSA63J-393X	MG RESISTOR	39kΩ 1/16W J	
R568	NRSA63J-0R0X	MG RESISTOR	0Ω 1/16W J		R971	NRS181J-222X	MG RESISTOR	2.2kΩ 1/8W J	
R583	NRSA63J-153X	MG RESISTOR	15kΩ 1/16W J		R972	NRS181J-222X	MG RESISTOR	2.2kΩ 1/8W J	
R584	NRSA63J-153X	MG RESISTOR	15kΩ 1/16W J		L1	QQL801K-4R7Y	COIL	4.7uH K	
R585	NRSA63J-103X	MG RESISTOR	10kΩ 1/16W J		L701	QQL801K-4R7Y	COIL	4.7uH K	
R586	NRSA63J-103X	MG RESISTOR	10kΩ 1/16W J		L901	QQR0703-001	CHOKE COIL		
R587	NRSA63J-303X	MG RESISTOR	30kΩ 1/16W J		CN501	QGB2027M4-22S	CONNECTOR	B-B (1-22)	
R588	NRSA63J-303X	MG RESISTOR	30kΩ 1/16W J		CN701	QGZ1601J1-15	CONNECTOR	(1-15)	
R589	NRSA63J-152X	MG RESISTOR	1.5kΩ 1/16W J		CN901	QNZ0611-001	16P CONNECTOR		
R590	NRSA63J-152X	MG RESISTOR	1.5kΩ 1/16W J		J1	QNB0190-001	CAR ANT JACK		
R591	NRSA63J-223X	MG RESISTOR	22kΩ 1/16W J		J321	QNN0519-001	PIN JACK		
R592	NRSA63J-104X	MG RESISTOR	100kΩ 1/16W J		S701	QSW1049-001Z	TACT SW		
R593	NRSA63J-223X	MG RESISTOR	22kΩ 1/16W J		△ TU1	QAU0443-001	TUNER		
R594	NRS181J-104X	MG RESISTOR	100kΩ 1/8W J		X71	QAX0263-001Z	CRYSTAL	4.332MHz	
R595	NRS181J-220X	MG RESISTOR	22Ω 1/8W J		X521	QAX0893-001Z	CRYSTAL		
R707	NRSA63J-682X	MG RESISTOR	6.8kΩ 1/16W J		X701	QAX0667-001Z	C RESONATOR	8.000MHz	
R708	NRSA63J-332X	MG RESISTOR	3.3kΩ 1/16W J						
R709	NRSA63J-473X	MG RESISTOR	47kΩ 1/16W J						

Symbol No.	Part No.	Part Name	Description	Local
X702	QAX0401-001	CRYSTAL	32.768KHz	

Switch board (KD-G120,G120R,G123,G124,G125,G126)

Block No. [0][3]

Symbol No.	Part No.	Part Name	Description	Local
IC661	PT6523LQ-L	LCD DRIVER		
IC681	RPM7338-V4	RM.RECEIVER		G120RJ
D630	SML-310LT/MN/-X	LED		
D631	SML-310VT/JK/-X	LED		
D633	SML-310VT/JK/-X	LED		
D635	SML-310VT/JK/-X	LED		
D636	SML-310VT/JK/-X	LED		
D637	SML-310VT/JK/-X	LED		
D638	SML-310VT/JK/-X	LED		
D639	SML-310VT/JK/-X	LED		
D640	SML-310VT/JK/-X	LED		
D641	SML-310VT/JK/-X	LED		
D642	SML-310VT/JK/-X	LED		
D643	SML-310VT/JK/-X	LED		
D644	SML-310VT/JK/-X	LED		
D645	SML-310VT/JK/-X	LED		
D646	SML-310VT/JK/-X	LED		
D647	SML-310VT/JK/-X	LED		
D648	SML-310VT/JK/-X	LED		
D649	SML-310VT/JK/-X	LED		
D652	NSPW310BS/BRST/	WHITE LED		
D653	NSPW310BS/BRST/	WHITE LED		
D661	1SS355W-X	DIODE C.M		
D662	UDZW5.1B-X	SI DIODE		
D681	MA8062/M/-X	Z DIODE		G120RJ
C661	NBE20JM-106X	TA E CAPACITOR	10uF 6.3V M	
C662	NDC31HJ-681X	C CAPACITOR	680pF 50V J	
C663	NCB31HK-223X	C CAPACITOR	0.022uF 50V K	
C681	NBE20JM-475X	TA E CAPACITOR	4.7uF 6.3V M	G120RJ
C682	NCB31HK-123X	C CAPACITOR	0.012uF 50V K	G120RJ
C686	NCB31HK-223X	C CAPACITOR	0.022uF 50V K	
C687	NCB31HK-223X	C CAPACITOR	0.022uF 50V K	
R601	NRSA63J-681X	MG RESISTOR	680Ω 1/16W J	
R602	NRSA63J-561X	MG RESISTOR	560Ω 1/16W J	
R603	NRSA63J-681X	MG RESISTOR	680Ω 1/16W J	
R604	NRSA63J-911X	MG RESISTOR	910Ω 1/16W J	
R605	NRSA63J-122X	MG RESISTOR	1.2kΩ 1/16W J	
R606	NRSA63J-681X	MG RESISTOR	680Ω 1/16W J	
R607	NRSA63J-561X	MG RESISTOR	560Ω 1/16W J	
R608	NRSA63J-681X	MG RESISTOR	680Ω 1/16W J	
R609	NRSA63J-911X	MG RESISTOR	910Ω 1/16W J	
R610	NRSA63J-122X	MG RESISTOR	1.2kΩ 1/16W J	
R611	NRSA63J-681X	MG RESISTOR	680Ω 1/16W J	
R612	NRSA63J-561X	MG RESISTOR	560Ω 1/16W J	
R613	NRSA63J-681X	MG RESISTOR	680Ω 1/16W J	
R630	NRSA63J-821X	MG RESISTOR	820Ω 1/16W J	
R631	NRSA63J-471X	MG RESISTOR	470Ω 1/16W J	
R633	NRSA63J-471X	MG RESISTOR	470Ω 1/16W J	
R637	NRSA63J-331X	MG RESISTOR	330Ω 1/16W J	
R639	NRSA63J-331X	MG RESISTOR	330Ω 1/16W J	
R641	NRSA63J-331X	MG RESISTOR	330Ω 1/16W J	
R643	NRSA63J-471X	MG RESISTOR	470Ω 1/16W J	
R645	NRSA63J-471X	MG RESISTOR	470Ω 1/16W J	
R649	NRS181J-361X	MG RESISTOR	360Ω 1/8W J	
R650	NRS181J-361X	MG RESISTOR	360Ω 1/8W J	
R661	NRSA63J-222X	MG RESISTOR	2.2kΩ 1/16W J	
R662	NRSA63J-222X	MG RESISTOR	2.2kΩ 1/16W J	
R663	NRSA63J-184X	MG RESISTOR	180kΩ 1/16W J	
R664	NRSA63J-103X	MG RESISTOR	10kΩ 1/16W J	
R665	NRSA63J-513X	MG RESISTOR	51kΩ 1/16W J	
R666	NRSA63J-103X	MG RESISTOR	10kΩ 1/16W J	
R667	NRSA63J-103X	MG RESISTOR	10kΩ 1/16W J	

Symbol No.	Part No.	Part Name	Description	Local
R668	NRSA63J-103X	MG RESISTOR	10kΩ 1/16W J	
R670	NRS181J-0R0X	MG RESISTOR	0Ω 1/8W J	
R681	NRSA63J-471X	MG RESISTOR	470Ω 1/16W J	G120RJ
R682	NRSA63J-103X	MG RESISTOR	10kΩ 1/16W J	G120RJ
R686	NRSA63J-101X	MG RESISTOR	100Ω 1/16W J	

Symbol No.	Part No.	Part Name	Description	Local
CJ601	QGZ1601K1-15S	CONNECTOR	(1-15)	
JS686	QSW0976-001	ROTARY ENCODER		
S601	NSW0124-001X	TACT SW		
S602	NSW0124-001X	TACT SW		
S603	NSW0124-001X	TACT SW		
S604	NSW0124-001X	TACT SW		
S605	NSW0124-001X	TACT SW		
S606	NSW0124-001X	TACT SW		
S607	NSW0124-001X	TACT SW		
S608	NSW0124-001X	TACT SW		
S609	NSW0124-001X	TACT SW		
S610	NSW0124-001X	TACT SW		
S611	NSW0124-001X	TACT SW		
S612	NSW0124-001X	TACT SW		
S613	NSW0124-001X	TACT SW		
S614	NSW0124-001X	TACT SW		
S615	NSW0124-001X	TACT SW		
S616	NSW0124-001X	TACT SW		

Switch board (KD-G161,G162)

Block No. [0][4]

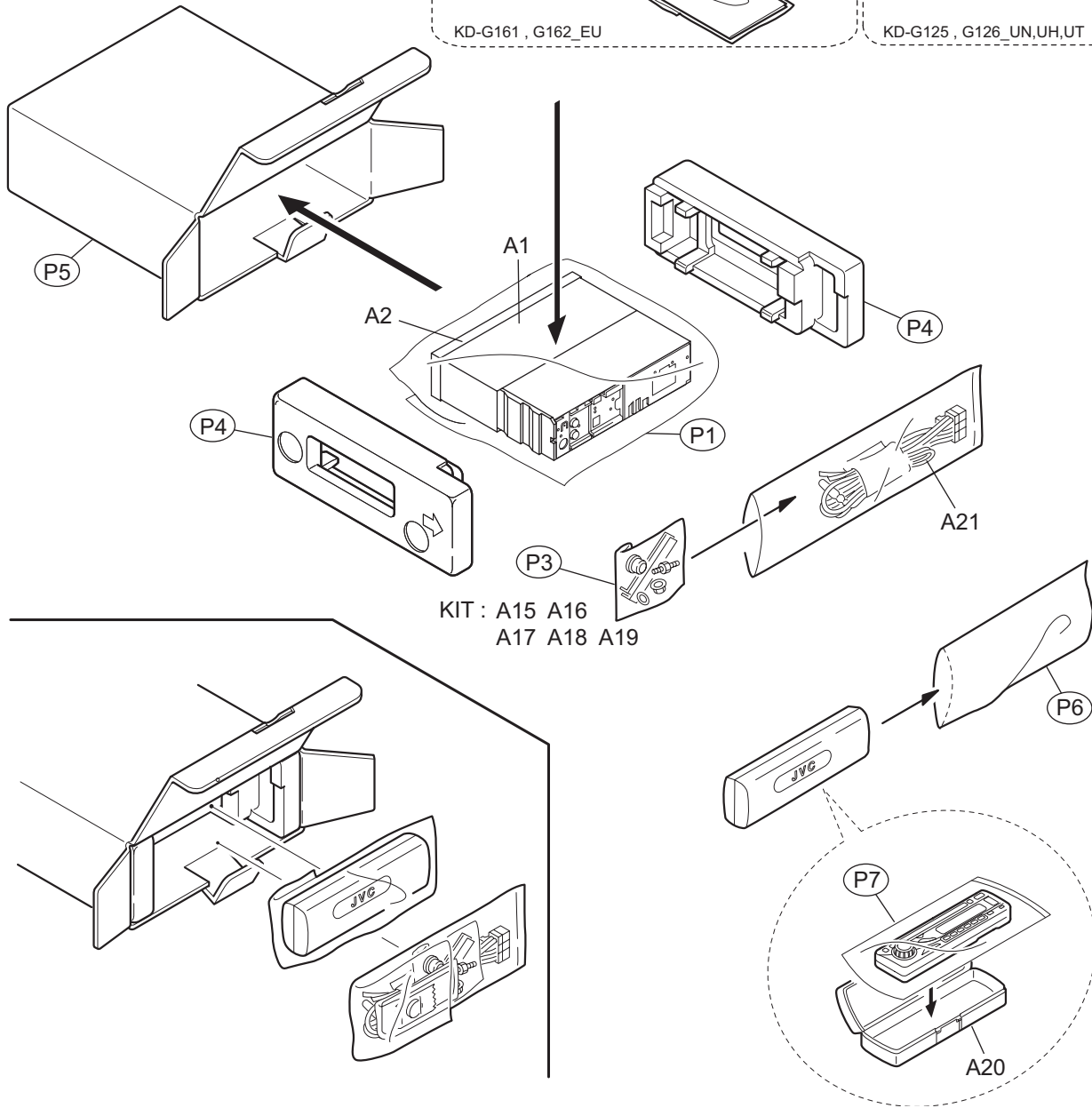
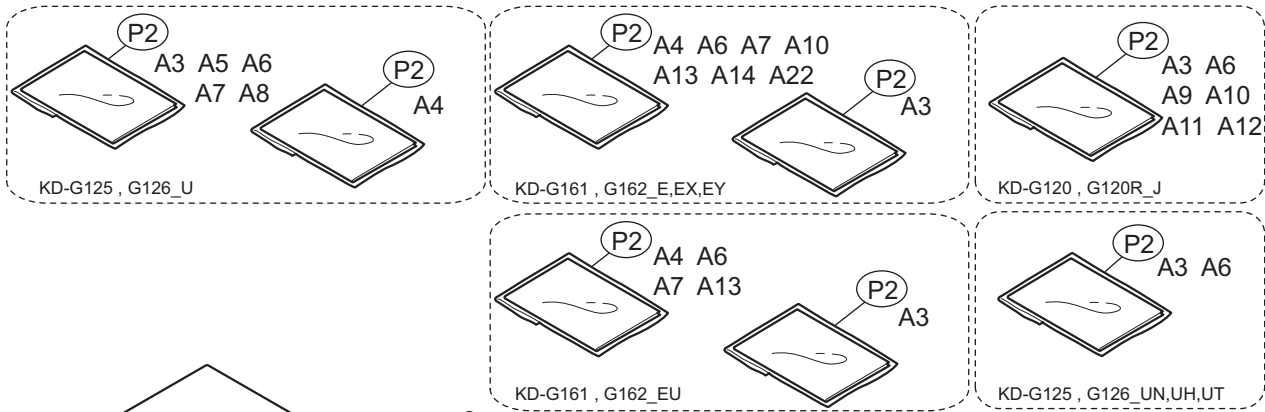
Symbol No.	Part No.	Part Name	Description	Local
IC661	PT6523LQ-L	LCD DRIVER		
D630	SML-310LT/MN/-X	LED		
D631	LNJ308G81/1-3/X	LED		G161E G161EU G161EX G161EY G162E G162EU G162EX G162EY
D631	SML-310VT/JK/-X	LED		G161E G161EU G161EX G161EY
D632	LNJ308G81/1-3/X	LED		G161E G161EU G161EX G161EY G162E G162EU G162EX G162EY
D633	SML-310VT/JK/-X	LED		G161E G161EU G161EX G161EY G162E G162EU G162EX G162EY
D634	LNJ308G81/1-3/X	LED		G161E G161EU G161EX G161EY
D635	LNJ308G81/1-3/X	LED		G161E G161EU G161EX G161EY G162E G162EU G162EX G162EY
D635	SML-310VT/JK/-X	LED		G161E G161EU G161EX G161EY G162E G162EU G162EX G162EY
D636	LNJ308G81/1-3/X	LED		G161E G161EU G161EX G161EY G162E G162EU G162EX G162EY
D636	SML-310VT/JK/-X	LED		G161E G161EU G161EX G161EY G162E G162EU G162EX G162EY
D637	LNJ308G81/1-3/X	LED		G161E G161EU G161EX G161EY G162E G162EU G162EX G162EY
D637	SML-310VT/JK/-X	LED		G161E G161EU G161EX G161EY G162E G162EU G162EX G162EY
D638	LNJ308G81/1-3/X	LED		G161E G161EU G161EX G161EY G162E G162EU G162EX G162EY
D638	SML-310VT/JK/-X	LED		G161E G161EU G161EX G161EY G162E G162EU G162EX G162EY
D639	LNJ308G81/1-3/X	LED		G161E G161EU G161EX G161EY G162E G162EU G162EX G162EY
D639	SML-310VT/JK/-X	LED		G161E G161EU G161EX G161EY G162E G162EU G162EX G162EY

△ Symbol No.	Part No.	Part Name	Description	Local	△ Symbol No.	Part No.	Part Name	Description	Local
D640	LNJ308G81/1-3/X	LED		G161E G161EU G161EX G161EY	R630	NRSA63J-821X	MG RESISTOR	820Ω 1/16W J	
D640	SML-310VT/JK/-X	LED		G162E G162EU G162EX G162EY	R631	NRSA63J-471X	MG RESISTOR	470Ω 1/16W J	
D641	LNJ308G81/1-3/X	LED		G161E G161EU G161EX G161EY	R633	NRSA63J-122X	MG RESISTOR	1.2kΩ 1/16W J	G161E G161EU G161EX G161EY
D641	SML-310VT/JK/-X	LED		G162E G162EU G162EX G162EY	R633	NRSA63J-471X	MG RESISTOR	470Ω 1/16W J	G162E G162EU G162EX G162EY
D642	LNJ308G81/1-3/X	LED		G161E G161EU G161EX G161EY	R634	NRSA63J-152X	MG RESISTOR	1.5kΩ 1/16W J	G161E G161EU G161EX G161EY
D642	SML-310VT/JK/-X	LED		G162E G162EU G162EX G162EY	R635	NRSA63J-561X	MG RESISTOR	560Ω 1/16W J	G161E G161EU G161EX G161EY
D643	LNJ308G81/1-3/X	LED		G161E G161EU G161EX G161EY	R637	NRSA63J-331X	MG RESISTOR	330Ω 1/16W J	
D643	SML-310VT/JK/-X	LED		G162E G162EU G162EX G162EY	R639	NRSA63J-331X	MG RESISTOR	330Ω 1/16W J	
D644	LNJ308G81/1-3/X	LED		G161E G161EU G161EX G161EY	R641	NRSA63J-331X	MG RESISTOR	330Ω 1/16W J	
D644	SML-310VT/JK/-X	LED		G162E G162EU G162EX G162EY	R643	NRSA63J-471X	MG RESISTOR	470Ω 1/16W J	
D645	LNJ308G81/1-3/X	LED		G161E G161EU G161EX G161EY	R645	NRSA63J-471X	MG RESISTOR	470Ω 1/16W J	
D645	SML-310VT/JK/-X	LED		G162E G162EU G162EX G162EY	R649	NRS181J-391X	MG RESISTOR	390Ω 1/8W J	
D646	LNJ308G81/1-3/X	LED		G161E G161EU G161EX G161EY	R650	NRS181J-391X	MG RESISTOR	390Ω 1/8W J	
D646	SML-310VT/JK/-X	LED		G162E G162EU G162EX G162EY	R661	NRSA63J-222X	MG RESISTOR	2.2kΩ 1/16W J	
D647	LNJ308G81/1-3/X	LED		G161E G161EU G161EX G161EY	R662	NRSA63J-222X	MG RESISTOR	2.2kΩ 1/16W J	
D647	SML-310VT/JK/-X	LED		G162E G162EU G162EX G162EY	R663	NRSA63J-184X	MG RESISTOR	180kΩ 1/16W J	
D648	LNJ308G81/1-3/X	LED		G161E G161EU G161EX G161EY	R664	NRSA63J-103X	MG RESISTOR	10kΩ 1/16W J	
D648	SML-310VT/JK/-X	LED		G162E G162EU G162EX G162EY	R665	NRSA63J-513X	MG RESISTOR	51kΩ 1/16W J	
D649	LNJ308G81/1-3/X	LED		G161E G161EU G161EX G161EY	R666	NRSA63J-103X	MG RESISTOR	10kΩ 1/16W J	
D649	SML-310VT/JK/-X	LED		G162E G162EU G162EX G162EY	R667	NRSA63J-103X	MG RESISTOR	10kΩ 1/16W J	
D652	NSPW310BS/BRST/	WHITE LED		G161E G161EU G161EX G161EY	R668	NRSA63J-103X	MG RESISTOR	10kΩ 1/16W J	
D653	NSPW310BS/BRST/	WHITE LED		G162E G162EU G162EX G162EY	R670	NRS181J-0R0X	MG RESISTOR	0Ω 1/8W J	
D661	1SS355W-X	DIODE C.M		G161E G161EU G161EX G161EY	R686	NRSA63J-101X	MG RESISTOR	100Ω 1/16W J	
D662	UDZW5.1B-X	SI DIODE		G162E G162EU G162EX G162EY	CJ601	QGZ1601K1-15S	CONNECTOR	(1-15)	
C661	NBE20JM-106X	TA E CAPACITOR	10uF 6.3V M		JS686	QSW0976-001	ROTARY ENCODER		
C662	NCS31HJ-681X	C CAPACITOR	680pF 50V J		S601	NSW0283-001X	TACT SW		
C663	NCB31HK-223X	C CAPACITOR	0.022uF 50V K		S602	NSW0283-001X	TACT SW		
C686	NCB31HK-223X	C CAPACITOR	0.022uF 50V K		S603	NSW0283-001X	TACT SW		
C687	NCB31HK-223X	C CAPACITOR	0.022uF 50V K		S604	NSW0283-001X	TACT SW		
R601	NRSA63J-821X	MG RESISTOR	820Ω 1/16W J		S605	NSW0283-001X	TACT SW		
R602	NRSA63J-821X	MG RESISTOR	820Ω 1/16W J		S606	NSW0283-001X	TACT SW		
R603	NRSA63J-122X	MG RESISTOR	1.2kΩ 1/16W J		S607	NSW0283-001X	TACT SW		
R604	NRSA63J-182X	MG RESISTOR	1.8kΩ 1/16W J		S608	NSW0283-001X	TACT SW		
R605	NRSA63J-272X	MG RESISTOR	2.7kΩ 1/16W J		S609	NSW0283-001X	TACT SW		
R606	NRSA63J-821X	MG RESISTOR	820Ω 1/16W J		S610	NSW0283-001X	TACT SW		
R607	NRSA63J-821X	MG RESISTOR	820Ω 1/16W J		S611	NSW0283-001X	TACT SW		
R608	NRSA63J-122X	MG RESISTOR	1.2kΩ 1/16W J		S612	NSW0283-001X	TACT SW		
R609	NRSA63J-182X	MG RESISTOR	1.8kΩ 1/16W J		S613	NSW0283-001X	TACT SW		
R610	NRSA63J-272X	MG RESISTOR	2.7kΩ 1/16W J		S614	NSW0283-001X	TACT SW		
R611	NRSA63J-821X	MG RESISTOR	820Ω 1/16W J		S615	NSW0283-001X	TACT SW		
R612	NRSA63J-821X	MG RESISTOR	820Ω 1/16W J		S616	NSW0283-001X	TACT SW		
R613	NRSA63J-122X	MG RESISTOR	1.2kΩ 1/16W J						

Packing materials and accessories parts list

Block No. **M 3 M M**

No additional / supplemental order of WARRANTY CARDS are available.



Packing and Accessories

Block No. [M][3][M][M]

△	Symbol No.	Part No.	Part Name	Description	Local
	A 1	GE20137-003A	MOUNTING SLEEVE		
	A 2	GE20135-010A	TRIM PLATE		G120J,G120RJ,G124UI,G125U,G125UH,G125UN G125UT,G161E,G161EU,G161EX,G161EY
	A 2	GE20135-001A	TRIM PLATE		G123UI,G126U,G126UH,G126UN,G126UT,G162E G162EU,G162EX,G162EY
	A 3	GET0330-001A	INST BOOK	ENG SPA FRE	G120J,G120RJ
	A 3	GET0332-001A	INST BOOK	ENG	G123UI,G124UI
	A 3	GET0331-001A	INST BOOK	ENG THA	G125U,G125UH,G126U,G126UH
	A 3	GET0331-004A	INST BOOK	ENG INA	G125UN,G126UN
	A 3	GET0331-005A	INST BOOK	ENG CHI(TAIWAN)	G125UT,G126UT
	A 3	GET0334-001A	INST BOOK	GER FRE ITA	G161E,G162E
	A 3	GET0334-005A	INST BOOK	SPA TUR PER	G161EU,G162EU
	A 3	GET0334-004A	INST BOOK	DUT SWE DAN FIN	G161EX,G162EX
	A 3	GET0334-006A	INST BOOK	ENG GER RUS	G161EY,G162EY
	A 4	GET0331-002A	INST BOOK	KOR CHI(TAIWAN) ARA PER	G125U,G126U
	A 4	GET0334-002A	INST BOOK	SPA GER POR	G161E,G162E
	A 4	GET0334-003A	INST BOOK	ENG FRE	G161EU,G161EX,G162EU,G162EX
	A 4	GET0334-007A	INST BOOK	POL CZE HUN	G161EY,G162EY
	A 5	GET0331-003A	INST BOOK	RUS	G125U,G126U
	A 6	GET0330-002A	INSTALL MANUAL		G120J,G120RJ
	A 6	GET0332-002A	INSTALL MANUAL		G123UI,G124UI
	A 6	GET0331-006A	INSTALL MANUAL		G125U,G125UH,G126U,G126UH
	A 6	GET0331-009A	INSTALL MANUAL		G125UN,G126UN
	A 6	GET0331-010A	INSTALL MANUAL		G125UT,G126UT
	A 6	GET0334-008A	INSTALL MANUAL		G161E,G162E
	A 6	GET0334-010A	INSTALL MANUAL		G161EU,G161EX,G162EU,G162EX
	A 6	GET0334-013A	INSTALL MANUAL		G161EY,G162EY
	A 7	GET0331-007A	INSTALL MANUAL		G125U,G126U
	A 7	GET0334-009A	INSTALL MANUAL		G161E,G162E
	A 7	GET0334-012A	INSTALL MANUAL		G161EU,G162EU
	A 7	GET0334-011A	INSTALL MANUAL		G161EX,G162EX
	A 7	GET0334-014A	INSTALL MANUAL		G161EY,G162EY
	A 8	GET0331-008A	INSTALL MANUAL		G125U,G126U
	A 9	LVT0717-001B	TROUBLE SHEET(C		G120J,G120RJ
	A 10	-----	WARRANTY CARD	BT-52006-2	G120J,G120RJ
	A 10	-----	WARRANTY CARD	BT-54027-1	G161E,G161EX,G161EY,G162E,G162EX,G162EY
	A 11	-----	WARRANTY CARD	BT-51018-4	G120J,G120RJ
	A 12	BT-51034-2	REGISTRATION CARD		G120J,G120RJ
	A 13	LVT1435-001A	WEEE SHEET		G161E,G161EU,G161EX,G161EY,G162E,G162EU G162EX,G162EY
	A 14	VND3046-001	SERIAL TICKET		G161E,G161EX,G161EY,G162E,G162EX,G162EY
	A 15	VKZ4027-202	PLUG NUT		
	A 16	VKH4871-003	MOUNT BOLT		
	A 17	VKZ4328-003	LOCK NUT		
	A 18	QYWWS53A008ZA	WASHER	0mm/5.3mm x	
	A 19	GE40130-002A	HOOK	(x2)	
	A 20	FSJB3002-30C	HARD CASE		
	A 21	QAM0013-008	16P CORD ASSY		G120J,G120RJ
	A 21	QAM0390-004	16P CORD ASSY		G123UI,G124UI,G125U,G125UH,G125UN,G125UT G126U,G126UH,G126UN,G126UT
△	A 21	QAM0463-002	POWER CORD		G161E,G161EU,G161EX,G161EY,G162E,G162EU G162EX,G162EY
	A 22	VND3050-002	IDENTITY CARD		G161E,G161EX,G161EY,G162E,G162EX,G162EY
	KIT	SRW-385U	SCREW PART KIT	A15 A16 A17 A18 A19	
	P 1	QPC03004315P	POLY BAG	30cm x 43cm	
	P 2	FSPG4002-001	POLY BAG		G120J,G120RJ,G123UI,G124UI,G125UH,G125UN G125UT,G126UH,G126UN,G126UT
	P 2	FSPG4002-001	POLY BAG	(x2)	G125U,G126U,G161E,G161EU,G161EX,G161EY G162E,G162EU,G162EX,G162EY
	P 3	QPA00801205	POLY BAG	8cm x 12cm	
	P 4	GE10070-003A	EPS CUSHION		
	P 5	GE31835-002A	CARTON		G120J
	P 5	GE32114-002A	CARTON		G120RJ
	P 5	GE32006-002A	CARTON		G123UI
	P 5	GE32009-002A	CARTON		G124UI
	P 5	GE31838-002A	CARTON		G125U,G125UH,G125UN,G125UT
	P 5	GE31841-002A	CARTON		G126U,G126UH,G126UN,G126UT
	P 5	GE31853-002A	CARTON		G161E,G161EU,G161EX,G161EY
	P 5	GE31856-002A	CARTON		G162E,G162EU,G162EX,G162EY
	P 6	QPA01003003	POLY BAG	10cm x 30cm	
	P 7	QPC01002515	POLY BAG	10cm x 25cm	